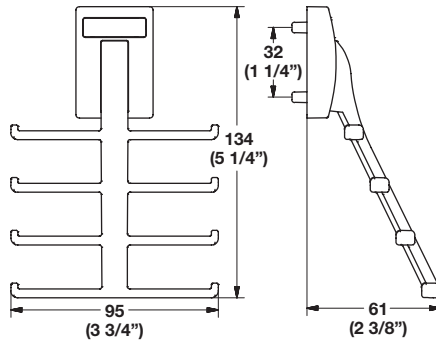


**Synergy Elite**

- Hooks are to be used on pre-constructed (see next page) or customer supplied cleat boards
- There are 5 mm pins on back of base to help pre-install by lining up the hooks on the boards
- To secure hook to board, there are two #8 holes for screws and cover caps furnished to conceal from view



**Tie Hook**

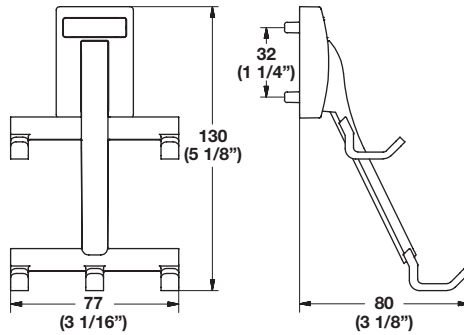
- Cleat mount, stores 8 ties  
L x W x H: 95 x 61 x 134 mm (3 3/4" x 2 3/8" x 5 1/4")

Material: Zinc

Finish	Item No.
polished chrome	807.69.200
matt aluminum	807.69.000
matt nickel	807.69.600
polished brass	807.69.800
dark oil-rubbed bronze	807.69.100

**Supplied With**

- Screws
- Cover caps



**Belt Hook**

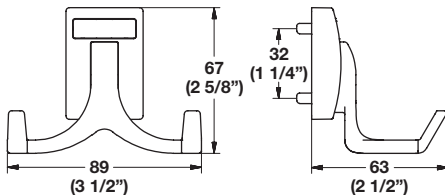
- Cleat mount, stores 5 belts  
L x W x H: 77 x 80 x 130 mm (3 1/16" x 3 1/8" x 5 1/8")

Material: Zinc

Finish	Item No.
polished chrome	807.69.220
matt aluminum	807.69.020
matt nickel	807.69.620
polished brass	807.69.820
dark oil-rubbed bronze	807.69.120

**Supplied With**

- Screws
- Cover caps



**Double Hook**

- Cleat mount  
L x W x H: 89 x 63 x 67 mm (3 1/2" x 2 1/2" x 2 5/8")

Material: Zinc

Finish	Item No.
polished chrome	807.69.240
matt aluminum	807.69.040
matt nickel	807.69.640
polished brass	807.69.840
dark oil-rubbed bronze	807.69.140

**Supplied With**

- Screws
- Cover caps

Dimensional data not binding. We reserve the right to alter specifications without notice.

Dimensions in mm  
Inches are approximate