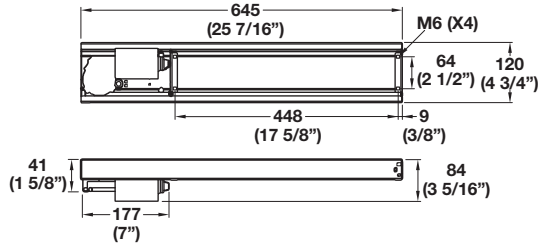
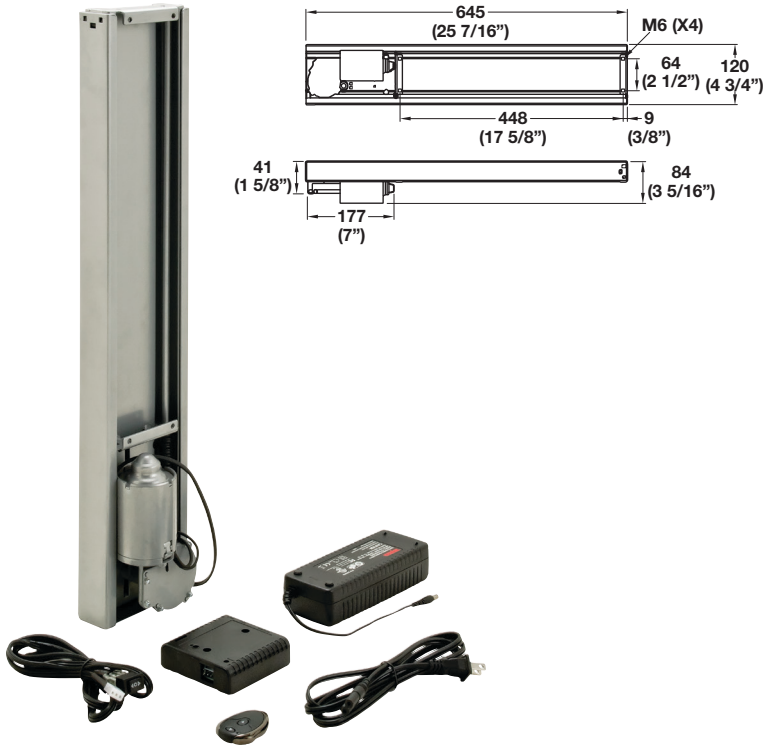


- For computer monitors and flat panel TVs
- Simple and fast mounting
- Rack & Pinion design with unique stability system
- Handles most computer monitors and TVs up to 26"
- 18" Travel
- Weight capacity: 110 lbs. mounted vertically  
50 lbs. mounted horizontally



4



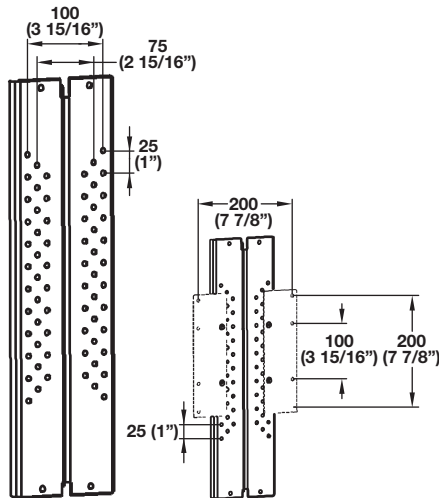
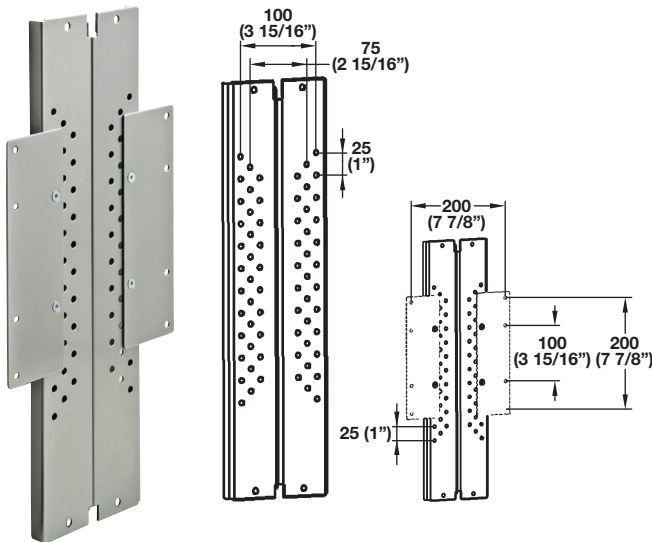
### TV LIFT

Material: Steel

Color	Item No.
silver	421.68.441

### Supplied With

Radio frequency remote control



### Mounting Bracket

- Offers mounting flexibility by allowing numerous hole combinations
- VESA compliant

Material: Steel

Color	Item No.
silver	421.68.442

### Set Supplied With

2 brackets

Dimensions in mm  
Inches are approximate