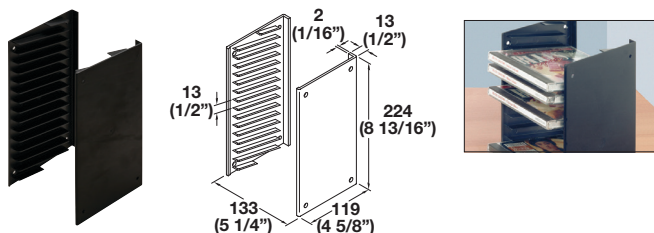


- The width of the CD dictates the installation width, the installation height is optional
- The elements can be stacked or shortened by trimming as desired



CD Holder

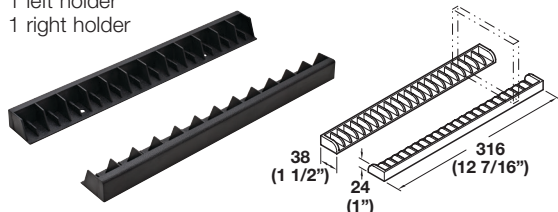
- Screw-mounted, for 13 single CDs

Material: Plastic

Color	Item No.
black	810.64.324

Pair Supplied With

- 1 left holder
- 1 right holder



CD Rack

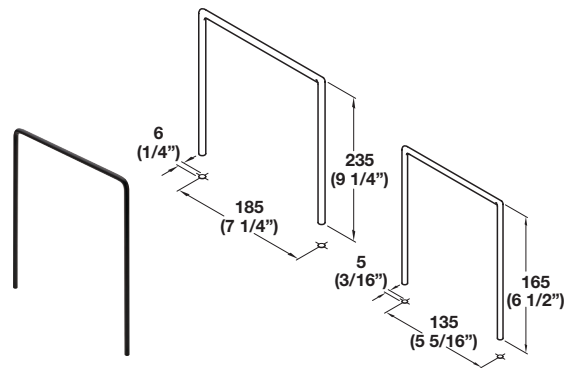
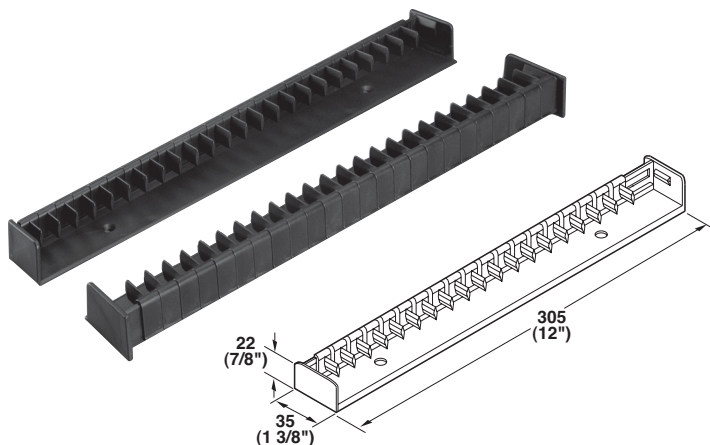
- For 24 single or 12 double CDs

Material: Plastic

Color	Item No.
black	810.58.335

Pair Supplied With

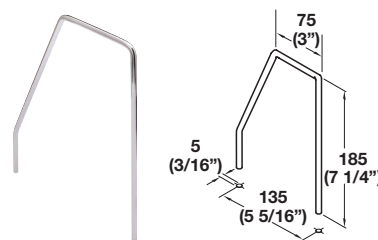
- 1 left rack
- 1 right rack



Wire Divider, rectangular

Material: Steel

Finish/Color	Ø6 x 185 x 235	Ø5 x 135 x 165
chrome	771.80.217	771.80.208
black	771.80.315	771.80.306



Wire Divider, slanted

Material: Steel

Finish/Color	Item No.
chrome	771.80.253
black	771.80.351

Multi Media Rail with 48 Moveable Dividers

- Screw-mounts, accepts dividers for organizing CD's, DVD's, mini disks, etc.

Material: Plastic

Color	Item No.
black	810.89.300

Possible Combinations with Multi Media Rail

Dividers required per rail	Capacity
23	24 Mini CD's
15	16 DVD's
20	21 CD's
9	9 VHS

Set Supplied With

- 1 left rail
- 1 right rail



Speaker/Acoustical Cloth

- Encloses speaker
 - Fabric cover tack borders
 - Acoustically transparent fabric will not distort sound
 - Can be cut-to-size by customer
- W x D: 914 x 610 mm (36" x 24")

Material: Polyester

Color	Item No.
black	811.07.300

Dimensions in mm
Inches are approximate