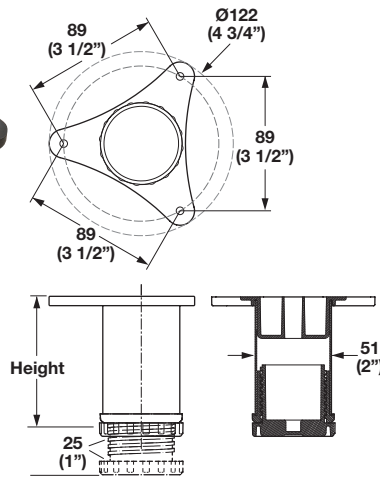


**Storage Bin**

- Slot on bin fronts allow for applying labels
- Hook onto wall track, 792.00.000

Material: Plastic; Color: black

A x B	C	Item No.
133 x 108 (5 1/4" x 4 1/4")	3"	792.02.380
184 x 108 (7 1/4" x 4 1/4")	3"	792.02.381
273 x 140 (10 3/4" x 5 1/2")	5"	792.02.382

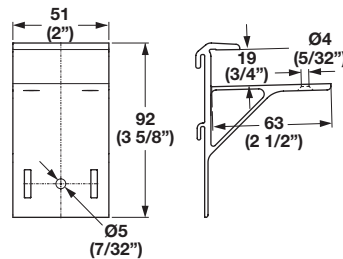


**Leveler**

- Adjustable: Offers customization and flexibility for quick installation
- Fluted aluminum tube is strong and non-corrosive in damp conditions
- Static load rating: 160 kg (352 lbs.) per leg
- Tube is easy to cut for custom lengths (saw blade for cutting non-ferrous metals recommended)
- Adjustable foot is pre-inserted in tube
- Offers + 25 mm (1") of adjustment
- Press fit tube onto surface-mounted base plate
- Base plate can be mounted and used as a glide during production
- Levelers are for added support, secure cabinets to wall

Material: Tube: Aluminum matt  
 Base plate/adjustable foot: Plastic; Color: black

Height	Item No.
90 (3 1/2")	792.01.080
152 (6")	792.01.081
228 (9")	792.01.082
305 (12")	792.01.083



**Small Shelf Bracket**

- Used with wall track 792.00.000
- Cover cap sold separately, secures the bracket to the wall track, allowing the bracket to be repositioned horizontally
- Made for a 19 mm (3/4") thick shelf
- Recommended for a max. shelf depth of 305 mm (12") and weight up to 50 lbs, provided track is properly secured to studs
- Application determines number of supports needed

Material: Aluminum

Finish	Item No.
matt aluminum	792.02.060

Dimensional data not binding. We reserve the right to alter specifications without notice.

Wall track	Page 4.8
Cover cap	Page 4.14

Dimensions in mm  
 Inches are approximate