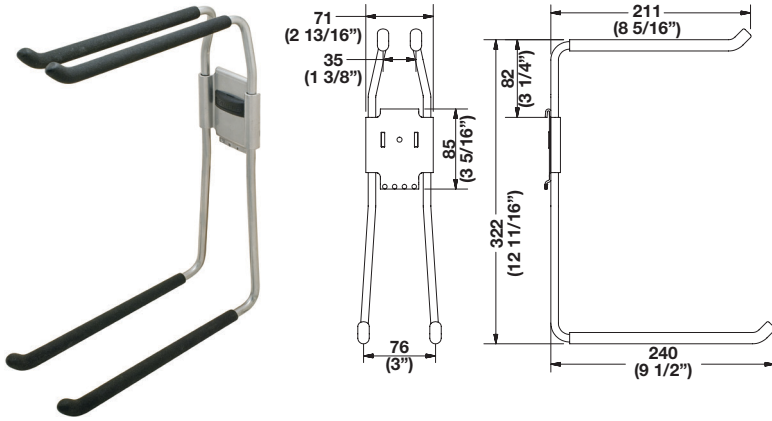


- Hooks are used with wall track, 792.00.000
- If additional strength is required for heavy loads hole is provided in the center of the base plate to use screw, 792.01.990 to secure hook to the studs behind the dry wall
- Cover cap sold separately below, secures the hook to the wall track allowing the hooks to be repositioned horizontally and covers the hole in the base plate
- Hooks have a rubber non-slip protective coating



4

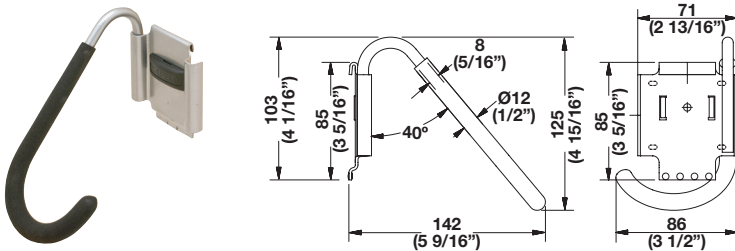


Activity Hook

- Heavy duty, stores skis, snowboards, baseball bats, lacrosse sticks, rackets, etc.
- L x W x H: 240 x 76 x 322 mm (9 1/2" x 3" x 12 11/16")

Material: Steel, rubber-coated

Finish/Color	Item No.
matt aluminum/black	792.02.004

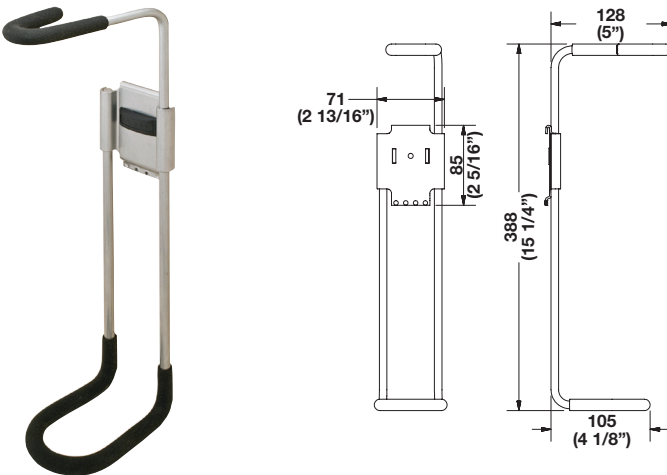


Bike Hook

- Heavy duty, for vertical storage of one bike
- L x W x H: 142 x 86 x 125 mm (5 9/16" x 3 1/2" x 4 15/16")

Material: Steel, rubber-coated

Finish/Color	Item No.
matt aluminum/black	792.02.201

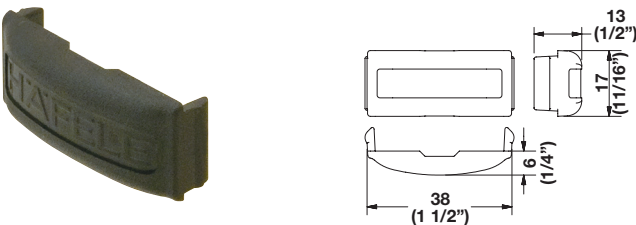


Fishing Rod Hook

- For vertical storage of one fishing rod
- L x W x H: 128 x 71 x 388 mm (5" x 2 13/16" x 15 1/4")

Material: Steel, rubber-coated

Finish/Color	Item No.
matt aluminum/black	792.02.006



Cover Cap

- For heavy duty hooks, for use on garden hook, bike hook, hose hook, utility hook, activity hook, 16" utility hook, and fishing rod hook

Material: Plastic

Color	Item No.
black	792.02.349

Wall track	Page 4.8
Screws	Page 4.8

Dimensions in mm
Inches are approximate

Dimensional data not binding. We reserve the right to alter specifications without notice.