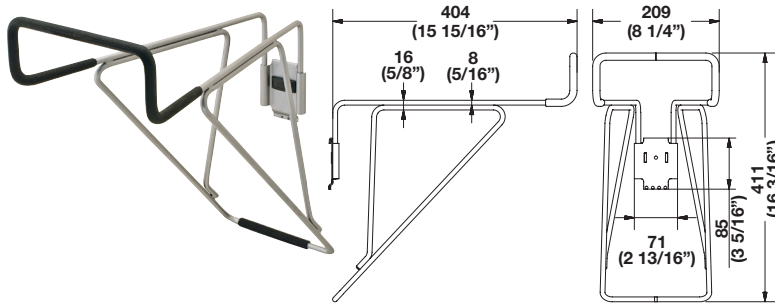


- Hooks are used with wall track, 792.00.000
- If additional strength is required for heavy loads, hole is provided in the center of the base plate to use screw, 792.01.990 to secure hook to the studs behind the dry wall
- Cover cap, 792.02.349 sold separately, secures the hook to the wall track allowing the hooks to be repositioned horizontally and covers the hole in the base plate
- Hooks have a rubber non-slip protective coating

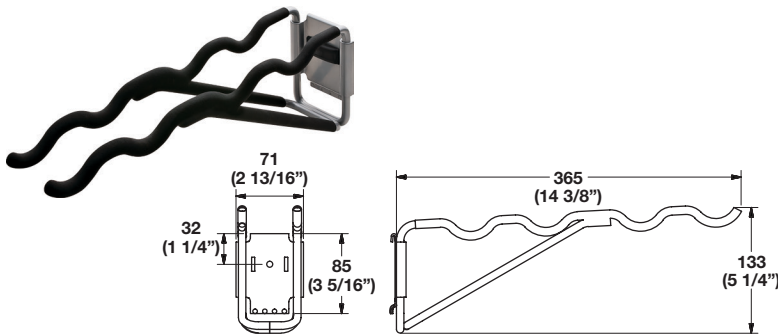


### 16" Utility Hook

- Heavy duty, horizontal storage for bikes; use two hooks for long items
- L x W x H: 404 x 209 x 411 mm (15 15/16" x 8 1/4" x 16 3/16")

Material: Steel, rubber-coated

Finish/Color	Item No.
matt aluminum/black	792.02.005



### 14" Utility Hook

- Heavy duty, horizontal storage for multiple, long handled garden tools and bikes, beach chairs and coolers
- L x W x H: 365 x 133 x 71 mm (14 3/8" x 5 1/4" x 2 3/16")

Material: Steel, rubber-coated

Finish/Color	Item No.
matt aluminum/black	792.02.070

Dimensional data not binding. We reserve the right to alter specifications without notice.

Wall track	Page 4.8
Screws	Page 4.8
Cover cap	Page 4.14

Dimensions in mm  
Inches are approximate