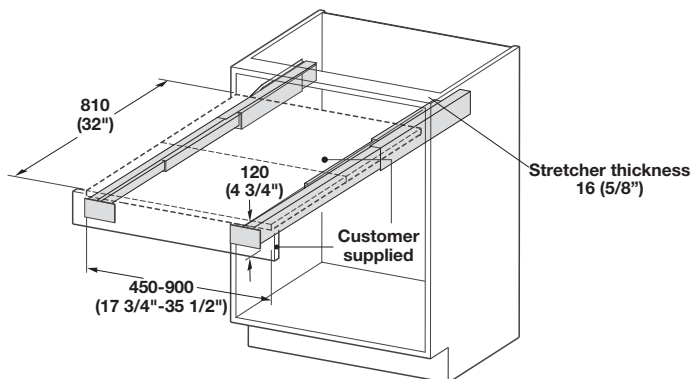


Pull-Out Table Systems

- Extension fitting can support any width surface up to 900 mm (35 1/2")
- As the table is extended, the front panel drops down automatically until the top is flush with the table
- Table top thickness 5/8" recommended
- Maximum load: 30 kg (66 lbs.)

3



Top Flex Pull-Out Table System

Extended length: 810 mm (32")
 Cabinet width: 450 – 900 mm (17 3/4 – 35 1/2")
 Interior cabinet opening height: 120 mm (4 3/4")
 Minimum cabinet depth: 510 mm (20")

Material: Steel, plated

	Item No.
	505.70.200

Note

Table top and front panel are customer supplied