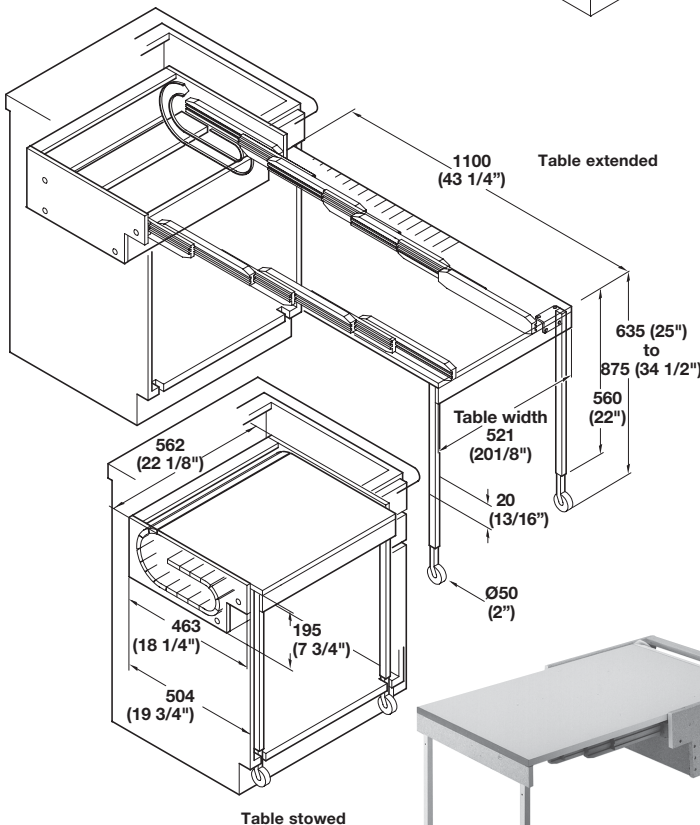
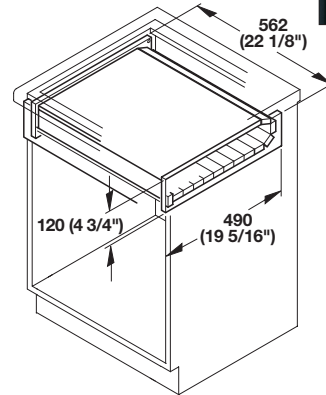
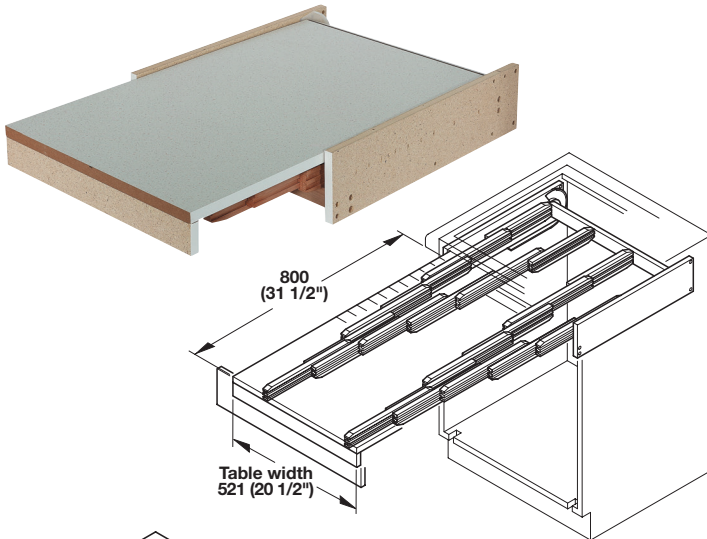


Pull-Out Table Systems

- Self-supporting table
- A drawer front panel can be screw-mounted directly onto the table front panel
- The system can be subsequently installed in place of a drawer or between two cabinets
- Fitting is not visible when installed



Rapid Pull-Out Table

- Cantilevered
 - For minimum interior width 562 mm (22 1/8")
- Load capacity: 100 kg (220 lbs.) (evenly distributed)

Material: Wood; Table top: Melamine, plastic-coated
Telescopic guides: Beech

Color	Item No.
white/gray dotted	505.58.703
maple	505.58.103

Supplied With

Housing
Guides
Front panel



Presto Pull-Out Table

- A drawer or door front can be screw-mounted directly to the table trim panel
 - The space beneath the table can be used for storage
 - Seats up to 4 people
 - Can install between 2 cabinets
 - For minimum interior width 562 mm (22 1/8")
- Load capacity: 110 kg (242 lbs.)

Material: Wood; Table top: Melamine, laminated

Color	Item No.
white/gray dotted	505.59.703

Supplied With

Housing with rolled out table top
Trim panel
2 extending guides

Leg Assembly, required

- Presto table system is vertically adjustable between 635 – 875 mm (25 – 34 1/2")

Material: Steel, powder-coated

Color	Item No.
white	505.59.772

Dimensional data not binding. We reserve the right to alter specifications without notice.