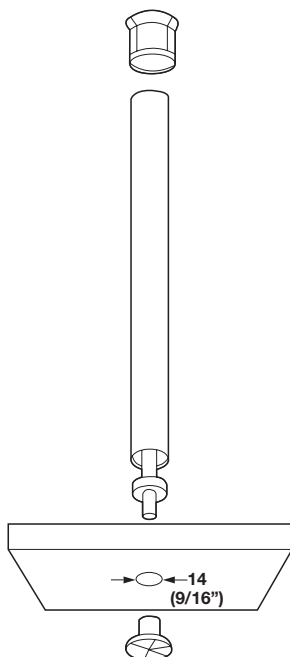


Shelf Suspension Systems

- For shelves suspended from the ceiling
- For attachment through wood or glass, a 14 mm hole is required

3



Beta Shelf Suspension System

Load carrying capacity: 50 kg (110 lbs.) per rod

Material: Steel, surface threaded

Finish	Item No.
chrome polished	828.50.208
chrome matt	828.50.408

Supplied With

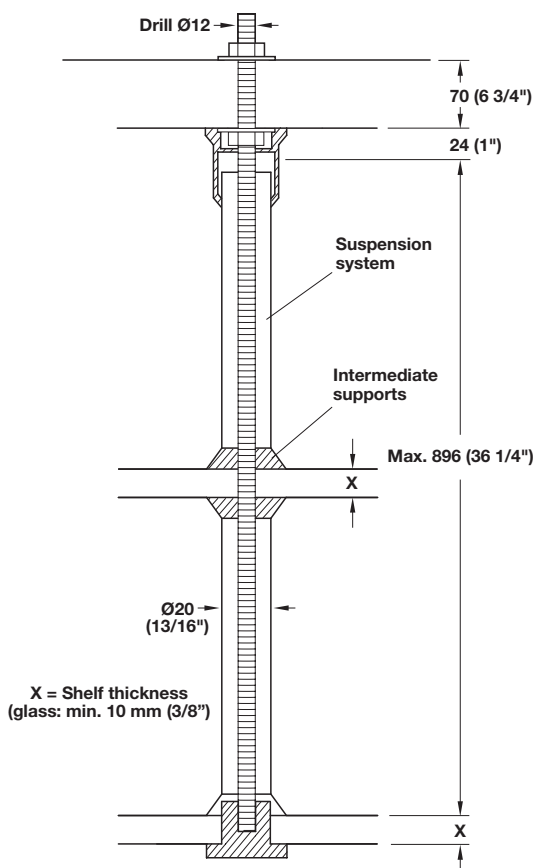
- Threaded rod M8 X 1000 mm (39 3/8")
- Ø20 x 896 mm (35 1/4") tube
- Upper sleeve
- Centering ring
- Sieve nut
- Rubber clamping ring

Intermediate Supports

- For additional ceiling shelves to the Beta system

Material: Brass, electroplated

Finish	Item No.
chrome polished	828.50.210
chrome matt	828.50.410



Dimensions in mm
Inches are approximate

Dimensional data not binding. We reserve the right to alter specifications without notice.