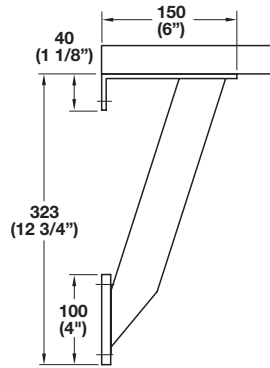


Countertop Supports

- Side mounts or mounts to countertop



Support

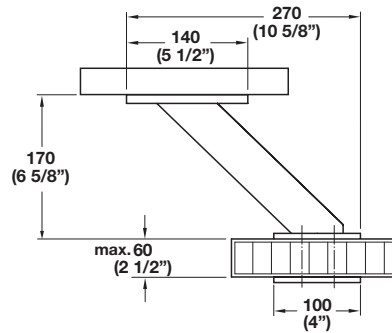
- Side-mount
- Load capacity 50 kg (110 lbs.)

Material: Aluminum

Finish	Item No.
silver, matt anodized	505.14.956

Supplied With

Mounting hardware



Support

- Load capacity 25 kg (55 lbs.)

Material: Aluminum

Finish	Item No.
silver, matt anodized	505.14.926

Supplied With

Mounting hardware

Dimensional data not binding. We reserve the right to alter specifications without notice.

Dimensions in mm
Inches are approximate