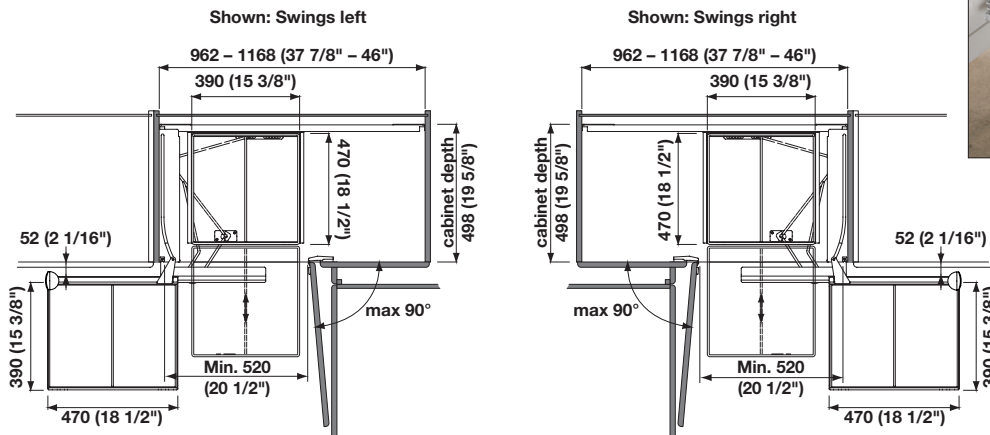


Magic Corner II

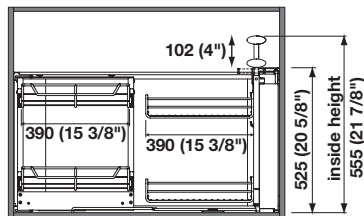
- Requires minimum door opening of 520 mm (20 1/2") and additional clearance for door hinge
- Available in swings left or right applications
- Front baskets pull out and swivel to a 90° open position while back baskets are simultaneously moved to the cabinet opening
- Back baskets slide forward individually providing total access
- Soft and Silent Feature slows the pull-out just before final closure, creating automatic and silent closing



3



soft&silent)))



Frame

- For use with hinged door
- Inside height: 555 mm (21 7/8")

Material: Steel, powder-coated

Swing	Silver RAL 9006	Champagne
right	548.10.240	548.10.440
left	548.10.241	548.10.441

Supplied With

Mounting instructions

Note

Mounting hardware not included

Arena Plus Tray Set

W x D x H:

Front: 390 x 470 x 88 mm (15 3/8 x 18 1/2 x 3 1/2")

Back: 390 x 470 x 102 mm (15 3/8 x 18 1/2 x 4")

Material: Shelf: Melamine; Surround: Steel

Finish/Color	Item No.
champagne/maple	548.11.466
chrome/maple	548.11.266
chrome/white	548.11.264
chrome/gray	548.11.566

Wire Basket Set

W x D x H:

Front: 390 x 470 x 80 mm (15 3/8 x 18 1/2 x 3 1/8")

Back: 390 x 470 x 85 mm (15 3/8 x 18 1/2 x 3 3/8")

Material: Steel wire

Finish	Item No.
chrome	548.11.261
champagne	548.11.461



Dimensional data not binding. We reserve the right to alter specifications without notice.

Dimensions in mm
Inches are approximate