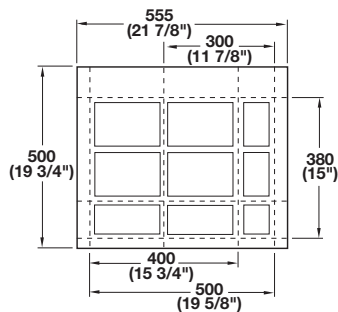
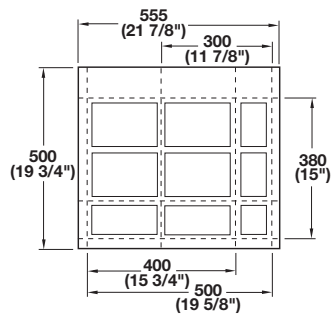
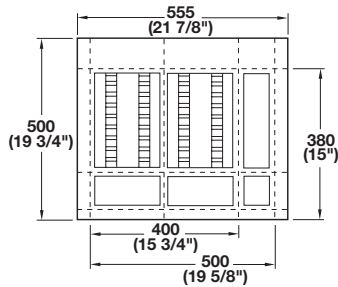


### Medical Drawer Inserts

- Fixed dimensions: starting at 100 pcs., no extra charge
- Drawer inserts can be trimmed with a circular saw to the measurements indicated by the broken line



Dimensional data not binding. We reserve the right to alter specifications without notice.

### Drawer Insert, flat

- With partitions for dental mirror, tweezers and other medical instruments

Height: 28 mm (1 1/8")

Material: Polystyrene

Color	Item No.
white gloss	556.66.763

### Drawer Insert, flat

- With partitions for materials and medical instruments

Height: 28 mm (1 1/8")

Material: Polystyrene

Color	Item No.
white gloss	556.66.754

### Drawer Insert, deep

- With partitions for materials and medical instruments

Height: 57 mm (2 1/8")

Material: Polystyrene

Color	Item No.
white gloss	556.66.727