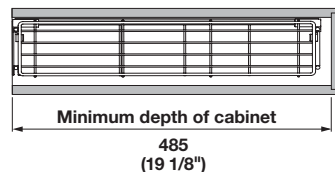
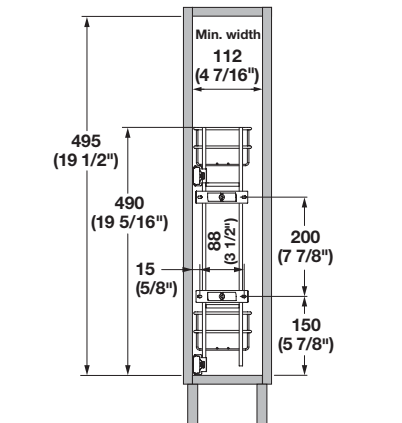
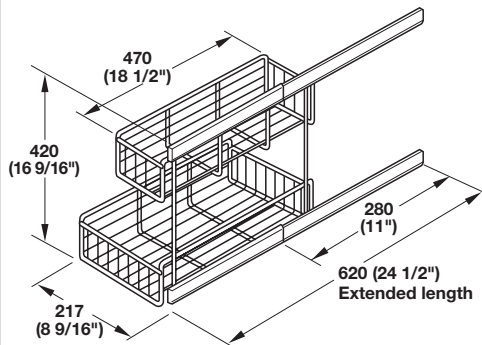
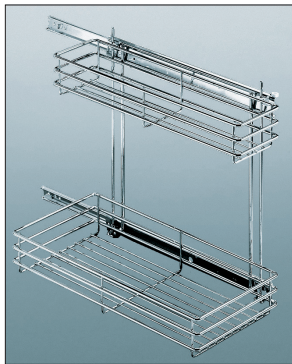
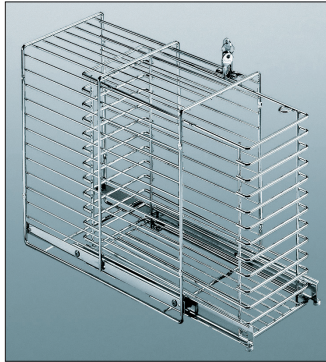


Base Pull-Out



Lockable Compartment

- Installs left or right
 - Provides convenient access to cleaning supplies
- D x W x H: 202 x 432 x 440 mm (8 x 17 x 17 3/8")

Material: Steel

Finish	Item No.
chrome	545.48.248

Supplied With
Runners

Under-sink Storage

- Installs left or right
- D x W x H: 217 x 470 x 420 mm
(8 9/16" x 18 1/2" x 16 9/16")

Material: Steel

Finish	Item No.
chrome	545.48.239

Supplied With
Screw-mounted upper runners
Lower runners



2-tier Base Cabinet

- Full extension slides with integrated self-closing action
 - Installs left or right
 - Minimum inside width: 112 mm (4 7/16")
- D x W x H: 480 x 110 x 490 mm
(18 7/8 x 4 5/16 x 19 5/16")

Material: Steel

Finish	Item No.
chrome	545.17.200

Supplied With
Door mounting brackets

Dimensional data not binding. We reserve the right to alter specifications without notice.

Dimensions in mm
Inches are approximate