

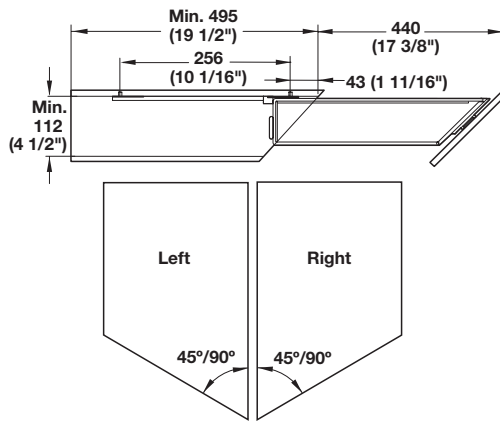
Base Pull-Out

- Make the most of a narrow space
- Mounts on the right-hand side
- Slides are concealed under the metal trays
- Soft & Silent Feature slows the pull-out just before final closure, creating automatic and silent closing
- Shelves accommodate items with Ø90 mm (3 1/2")



soft&silent)))

3



2-tier 45°

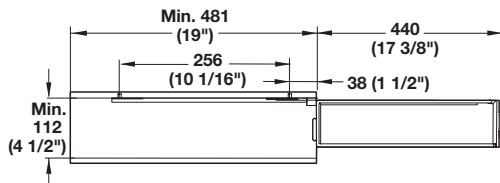
Minimum inside cabinet width: 112 mm (4 1/2")
Minimum inside cabinet depth: 495 mm (19 1/2")
Minimum inside cabinet height: 540 mm (22 1/4")

Material: Steel; Finish: chrome

Swing	Item No.
left	545.61.249
right	545.61.248

Supplied With

Textured surface metal trays
Full extension slides



2-tier 90°

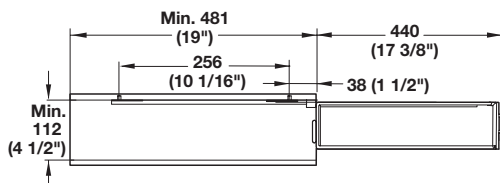
Maximum load capacity: 12 kg (26.4 lbs.)
Minimum inside cabinet width: 112 mm (4 1/2")
Minimum inside cabinet depth: 481 mm (19")
Minimum inside cabinet height: 540 mm (21 1/4")

Material: Steel

Finish	Item No.
chrome	545.61.232

Supplied With

Textured surface metal trays
Full extension slides



3-tier 90°

Maximum load capacity: 12 kg (26.4 lbs.)
Minimum inside cabinet width: 112 mm (4 1/2")
Minimum inside cabinet depth: 481 mm (19")
Minimum inside cabinet height: 755 mm (29 3/4")

Material: Steel

Finish	Item No.
chrome	545.61.233

Supplied With

Textured surface metal trays
Full extension slides

Dimensions in mm
Inches are approximate

FC **3.46**