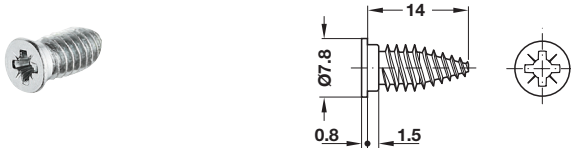
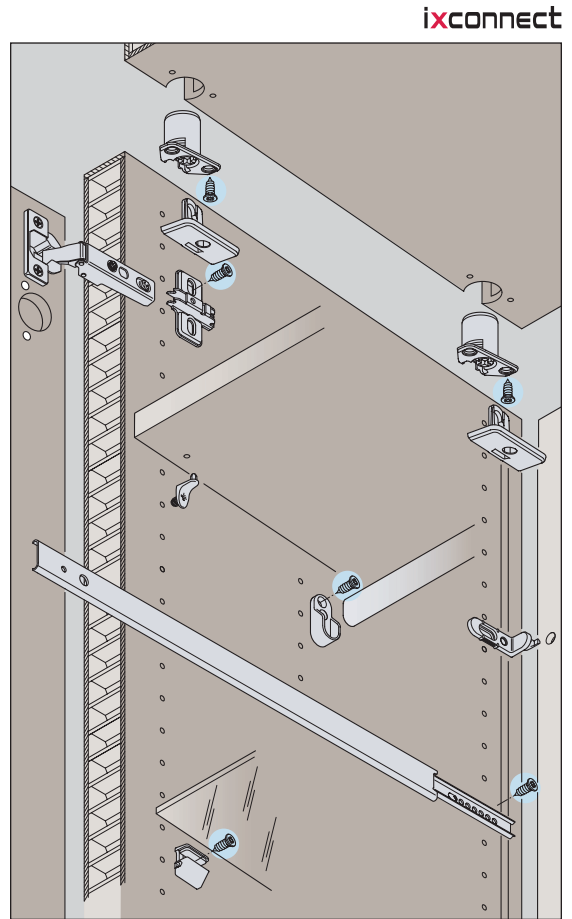
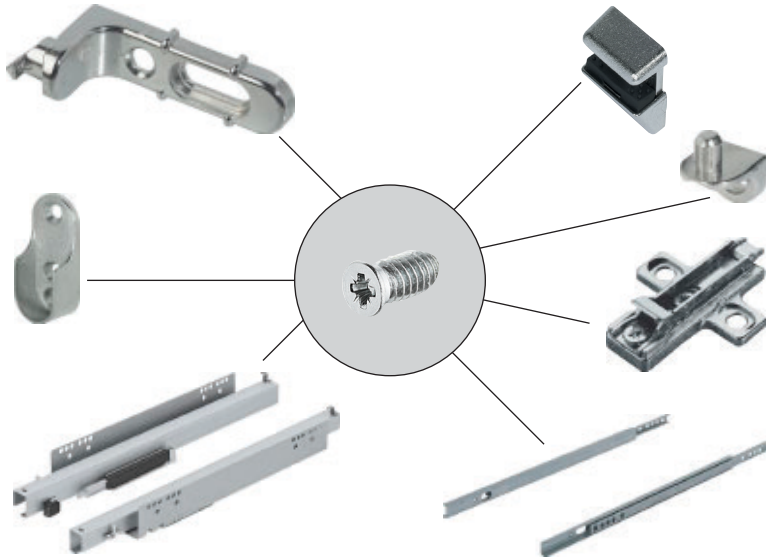


Häfele has developed a special screw to fasten hardware to a single surface layer of a lightweight panel. It's specially designed thread allows attachment of hardware to a surface layer of a lightweight panel with stronger holding capacity than conventional screws.

- For lightweight panels with a surface layer of 4 mm or greater
- Suitable for lightweight panels without a frame
- Specially designed thread to provide more threads in thinner materials
- Can be used in 3 mm or 5 mm holes



**Varianta HC Screw**

- A large selection of standard fittings can be attached to surface layers of 4 mm and above using Varianta HC screws

Material: Steel; Finish: nickel-plated

For drill hole Ø	Item No.
3	013.30.900
5	013.30.910

Packing: 100 pcs.

Dimensional data not binding. We reserve the right to alter specifications without notice.