

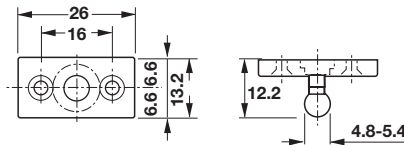
**Pressure Catch**

- Holding power: 8 kg
- Based on the same concept as that of a magnetic catch
- A gentle push is all it takes to open or close door
- Especially suited for use where magnets would be harmful such as near computer tapes and disk storage
- Cannot be pulled or pushed open from the inside by falling objects

Material: Plastic

| Color | Item No.   |
|-------|------------|
| black | 245.50.301 |

**Supplied With**  
6 screws



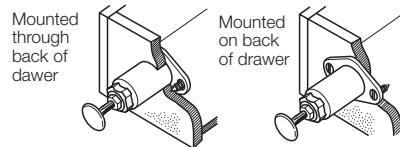
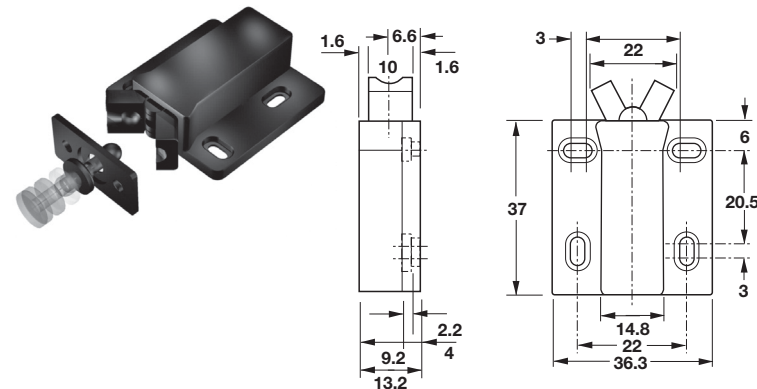
**Compact Catch**

- Holding power: 3 kg
- Smaller version of above
- Same basic features
- In addition, the strike consists of two parts allowing for easy adjustment even after the body is attached
- Lower holding power

Material: Plastic

| Color | Item No.   |
|-------|------------|
| black | 245.50.310 |

**Supplied With**  
6 screws



**Flexi-touch Drawer Latch**

- Spring latch releases drawer with the touch of a finger
- Attachable on the back or through the back of drawer
- Not for overlay drawer fronts
- Not recommended for self-closing ball bearing slides

Material: Plastic

| Color | Item No.   |
|-------|------------|
| beige | 245.52.403 |

**Supplied With**  
Screws

