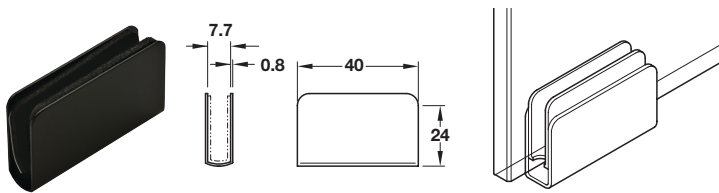


For Magnetic Pressure Catches



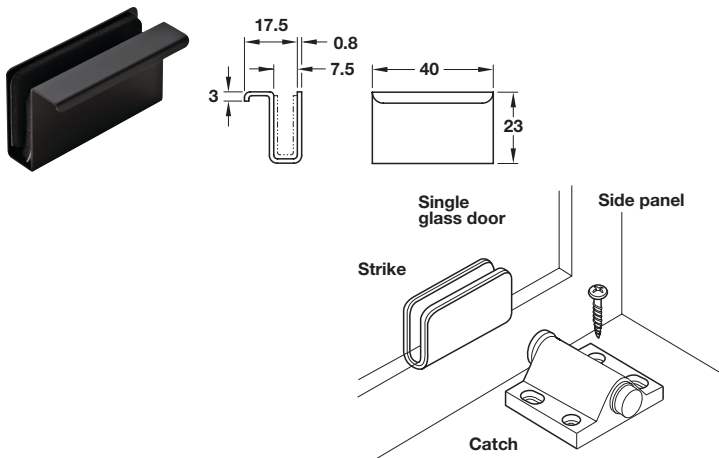
- For glass doors 5 – 6 mm thick in combination with automatic spring catches

Material: Steel, bonded to self-adhesive foam

Finish/Color	Item No.
black	245.63.326
chrome-plated	245.63.228

Note

Remove protective backing and attach foam liner to the glass door, then push the strike or finger pull into the pad.



- For glass doors 5 – 6 mm thick in combination with automatic spring catches

Material: Steel, bonded to self-adhesive foam

Finish/Color	Item No.
black	245.63.335
chrome-plated	245.63.237