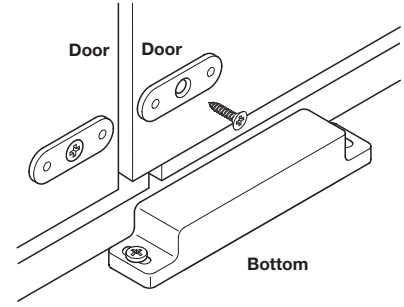


Double Magnetic Catches

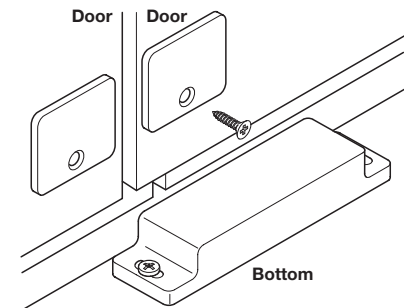
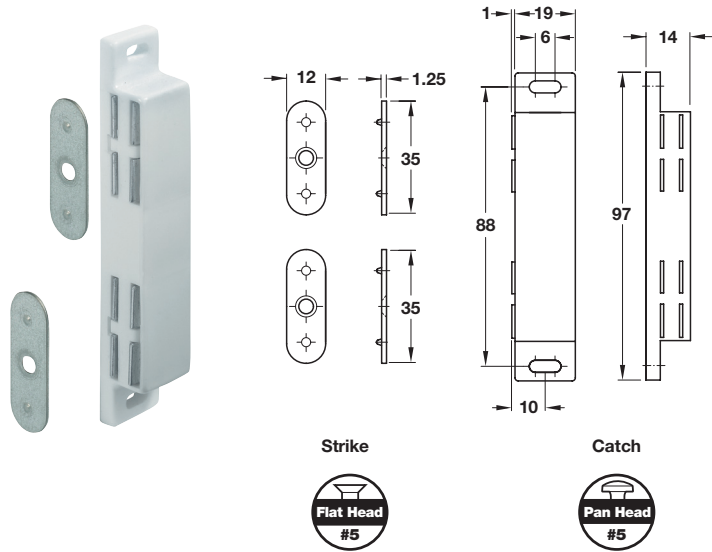
Floating permanent magnet poles in case adjust automatically, to meet door-mounted strike to top or bottom panel of cabinet in two-door installations.



- Screw-mounted
- Holding power (approximately) 2 x 3 – 4 kg
- Catch: fixed
- Strike: floated

Material: Catch: Plastic; Strike: Steel

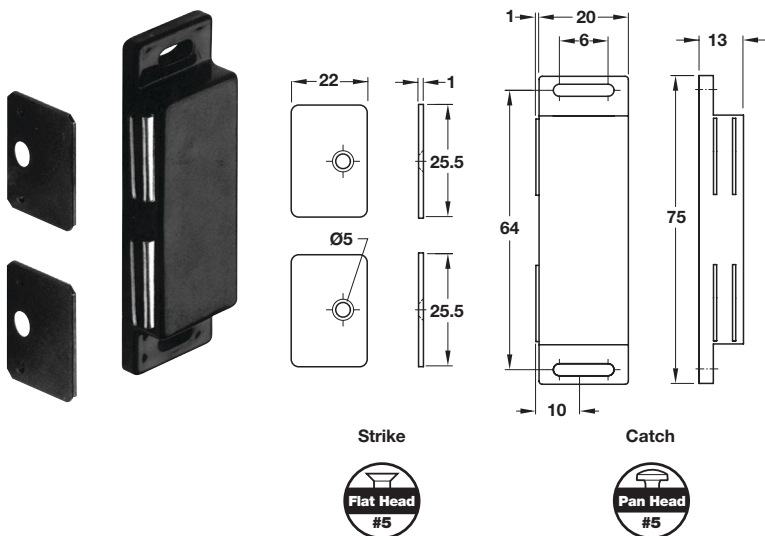
Color	Item No.
white	246.84.713
brown	246.84.115



- Screw-mounted
- Holding power (approximately) 2 x 3 – 4 kg
- Catch: fixed
- Strike: floated

Material: Catch: Plastic; Color: black; Strike: Steel

	Item No.
with strike	246.36.300
without strike	246.36.301



Dimensional data not binding. We reserve the right to alter specifications without notice.

Flat head screws	pages 11.137-11.138, 11.140
Pan head screws	pages 11.139-11.140