

- A high-end magnetic catch specifically designed by Häfele
- Primary application is high-quality traditional cabinetry with inset doors, utilizing free-swinging decorative butt hinges
- Rounded soft shape
- Metal casing and plated finish offer a high-end look and feel
- Easy and intuitive in/out adjustment is achieved by turning the magnet; no need to loosen screws, adjust and re-tighten
- Matching strike plates and screws are available, please order separately
- Magnet adjustment range: 5 mm (3/16")
- Magnetic holding force: 2 kg (4.4 lbs)



**Single Catch**

Material: Housing: Zinc; Core: Steel; Magnet: Neodymium

| Finish             | Item No.   |
|--------------------|------------|
| oil-rubbed bronze  | 246.15.100 |
| nickel-plated matt | 246.15.600 |

**Complete Set**

Material: Housing: Zinc; Core: Steel;  
Magnet: Neodymium; Strike plates/screws: Steel

| Finish             | Item No.   |
|--------------------|------------|
| oil-rubbed bronze  | 246.15.110 |
| nickel-plated matt | 246.15.610 |

**Supplied With**

- 2 catches
- 4 mounting screws
- 2 strike plates with floating head/knock-in nail

**Screws for Magnetic Catch**

- #6 x 5/8"

Material: Steel

| Finish             | Item No.   |
|--------------------|------------|
| oil-rubbed bronze  | 010.77.207 |
| nickel-plated matt | 010.77.607 |

**Strike Plate**

Material: Steel

| Finish             | Item No.   |
|--------------------|------------|
| oil-rubbed bronze  | 246.36.180 |
| nickel-plated matt | 246.36.680 |

**Note**

Order screws separately

**Screws for Strike Plate**

- #5 x 5/8"

Material: Steel

| Finish | Item No.   |
|--------|------------|
| black  | 010.77.304 |
| nickel | 010.77.604 |

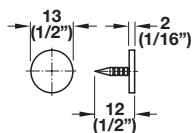
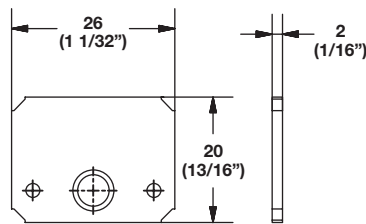
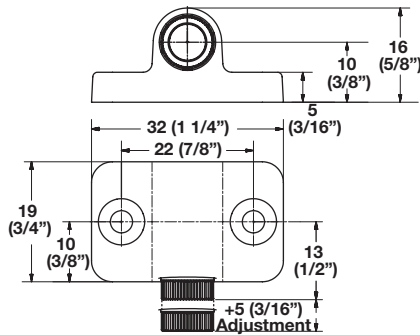
Packing: 1000 pcs.

**Strike**

- With floating head and knock-in nail
- Floating head assures absolute contact between magnet and strike, creating the strongest holding force

Material: Steel

| Finish             | Item No.   |
|--------------------|------------|
| oil-rubbed bronze  | 246.15.190 |
| nickel-plated matt | 246.15.690 |



Dimensional data not binding. We reserve the right to alter specifications without notice.