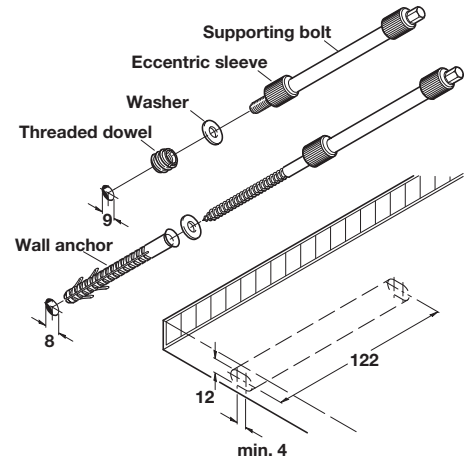
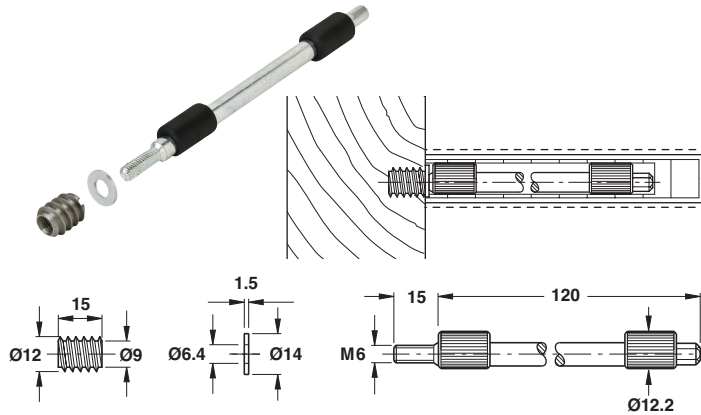


12 mm

- Shelf supports, for invisible fastening of shelves with a 19 mm wood thickness or greater in living room, kitchen, bath and bedroom areas.
- Adjustment without tools by turning the plastic sleeve
- The hexagonal end on the shelf support permits installation with 1/4" using a cordless drill or a 6 mm open end or box-end wrench
- Can be installed directly into masonry walls or woodwork
- To make adjustments possible, the insertion hole must be laterally elongated, with a slot drilling machine or a chain mill
- Adjust height and level, set the shelf on the shelf supports mounted in the wall and then adjust by turning the plastic sleeves



Screw-Mounted

Material: Steel, galvanized; Sleeves: Plastic, polyamide

	Item No.
	283.32.032

Supplied With

- Support bolt with M6 thread
- 2 plastic sleeves, pre-mounted
- Washer
- Threaded sleeve M6 x 15 mm

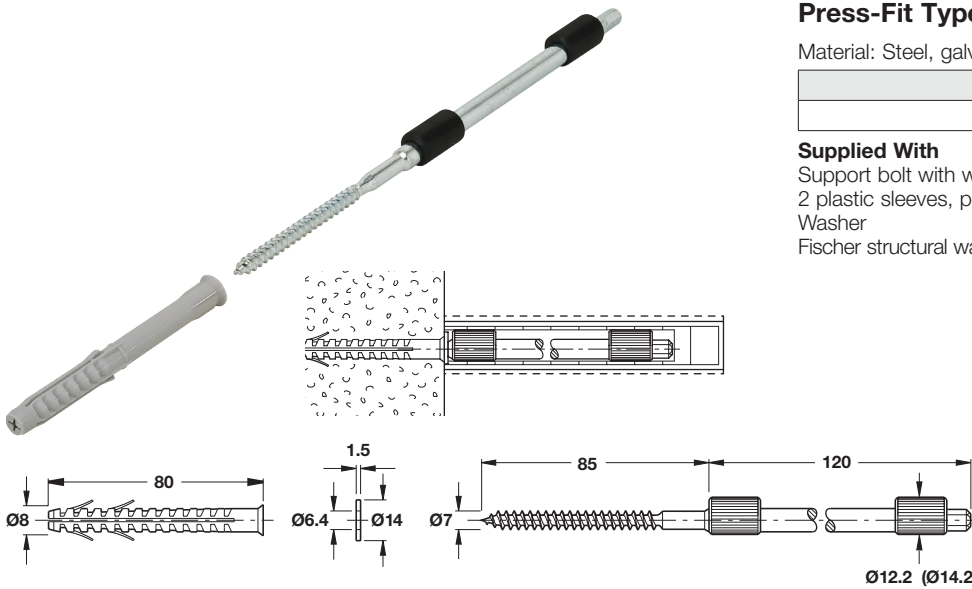
Press-Fit Type

Material: Steel, galvanized; Sleeves: Plastic, polyamide

	Item No.
	283.32.014

Supplied With

- Support bolt with wood thread
- 2 plastic sleeves, pre-mounted
- Washer
- Fischer structural wall anchor S 8H 80 R



Height and level adjustment possible as shown on the right

