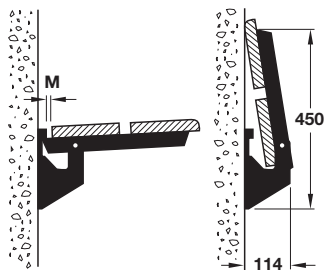


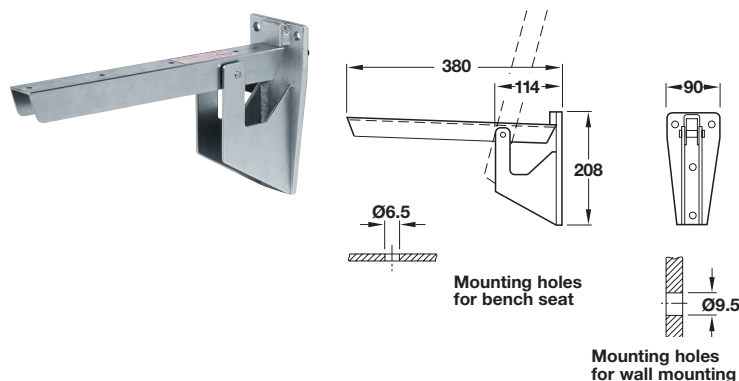
**Note**

Load capacities are approximate figures and can change depending on application. These figures were determined by static test-distributing the weight evenly over the surface, but not extending the length of the bracket.



When folded up the bracket requires the space specified at left. It is pre-drilled for the seat, which can be up to 40 mm thick.

Seat thickness	Minimum gap M
25 mm	17 mm
30 mm	17 mm
35 mm	22 mm
40 mm	28 mm

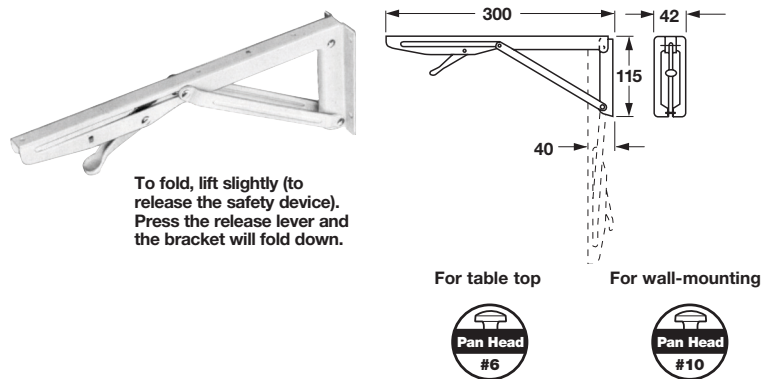


**Hebgo Folding Bench Bracket**

- Heavy duty model for outdoor use
- Load capacity to 500 kg (1100 lbs.) per pair

Material: Steel

Finish	Item No.
galvanized	287.47.917



**Folding Bracket**

- With locking device in supporting arm
- Load capacity to 50 kg (110 lbs.)

Material: Steel, bright galvanized

Color	Item No.
black	287.49.322
white	287.49.724