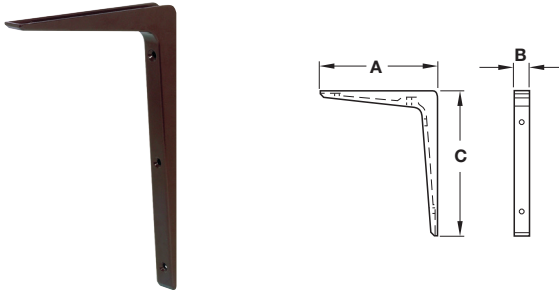


**Note**

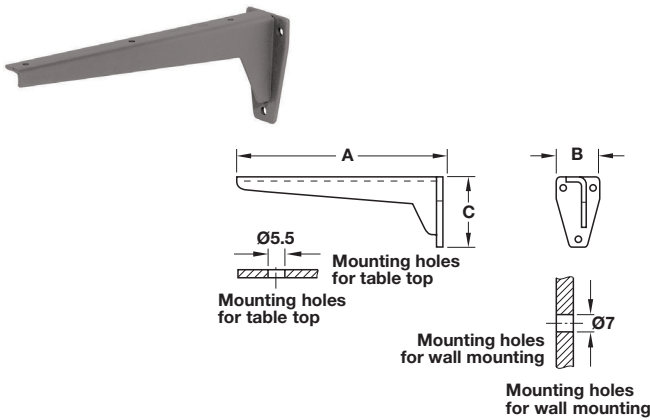
Load capacities are approximate figures can change depending on application. These figures were determined by static testing – distributing the weight evenly over the surface, but not extending the length of the bracket.



**Bracket**

Material: Aluminum, lacquered; Color: white

A	C	B	Load capacity	Item No.
150	200	20	120 kg (265 lbs.)	287.35.739
200	250	24	130 kg (285 lbs.)	287.35.748
200	300	26	150 kg (330 lbs.)	287.35.757

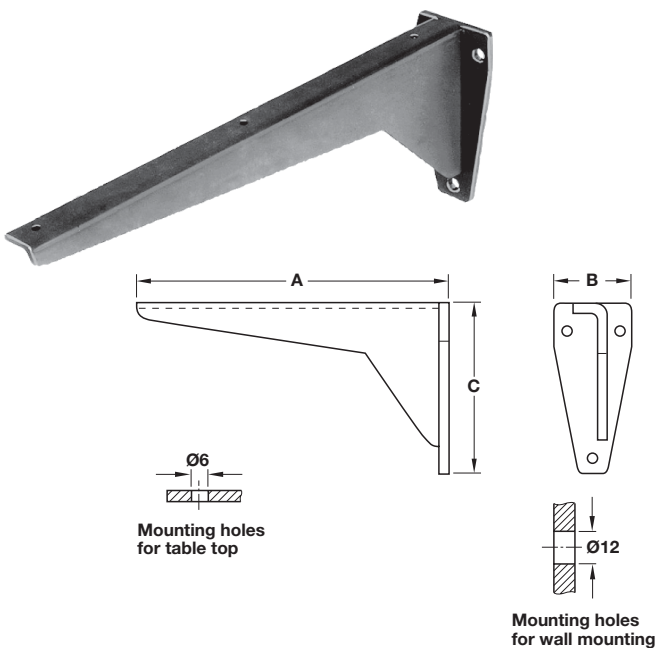


**Hebgo Bracket**

- Load capacity to 150 kg (330 lbs.) per pair

Material: Steel; Color: gray primed

A	C	B	Item No.
200	80	46	287.44.416
240	80	46	287.44.425
280	100	53	287.44.434
330	100	53	287.44.443
380	130	65	287.44.452
480	130	65	287.44.461
580	170	82	287.44.470
680	170	82	287.44.489



**Hebgo Bracket**

- Load capacity to 500 kg (1100 lbs.) per pair

Material: Steel; Color: gray primed

A	C	B	Item No.
380	180	80	287.45.459
480	180	80	287.45.468
580	220	100	287.45.477
680	220	100	287.45.486
780	220	100	287.45.495

Dimensional data not binding. We reserve the right to alter specifications without notice.