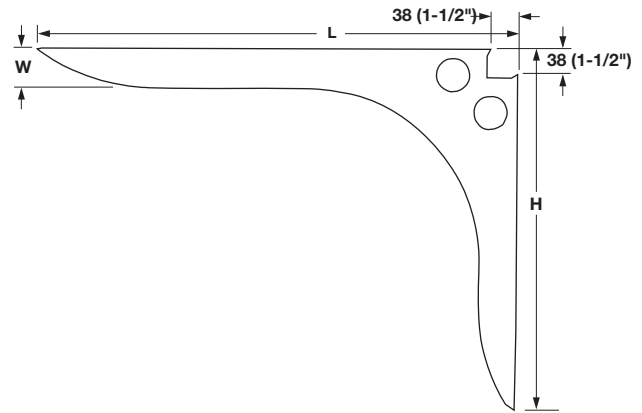


- Load capacity: 1,000 lbs. per pair when mounted on 16" centers
- A 3/4" x 1 1/2" notching system for fast and easy alignment after installing a level wall cleat
- Two different sized arm lengths, which allow for one brace to be used for two different sized countertops
- Heavy-duty folded steel design for strength
- Two conduit holes, which are designed for running power and communication cables independently
- Countersunk screw holes allow screws to be mounted flush, recommended screw size is a #8 with a countersunk head
- Available in epoxy-coated or stainless steel



Recommended Countertop Sizes:

21" x 28"	brace: 30"-32" tops
28" x 21"	brace: 22"-24" tops
15" x 18"	brace: 20"-24" tops
18" x 15"	brace: 16"-20" tops
8" x 12"	brace: 10"-16" tops

Material: Steel

L x W x H	Finish/Color	Item No.
711 (28") x 45 (1 3/4") x 533 (21")	stainless steel	287.77.003
711 (28") x 45 (1 3/4") x 533 (21")	black	287.74.307
711 (28") x 45 (1 3/4") x 533 (21")	white	287.74.707
457 (18") x 38 (1 1/2") x 381 (15")	stainless steel	287.77.002
457 (18") x 38 (1 1/2") x 381 (15")	black	287.74.304
457 (18") x 38 (1 1/2") x 381 (15")	white	287.74.704
305 (12") x 38 (1 1/2") x 203 (8")	stainless steel	287.77.001
305 (12") x 38 (1 1/2") x 203 (8")	black	287.74.301
305 (12") x 38 (1 1/2") x 203 (8")	white	287.74.701