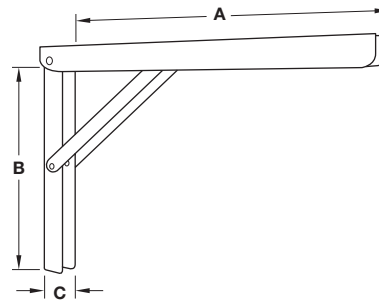


### KV – Heavy Duty and Super Duty

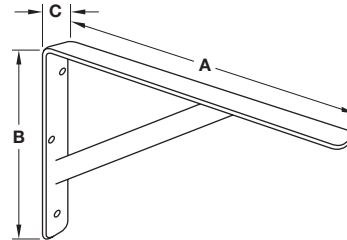


#### 206 Series Folding Bracket, Heavy Duty

- Weight capacity: up to 880 lbs./pair\*
- For 12" – 24" deep shelving
- Adjustable to 4 positions: 90°, 80°, 70° and 0° (closed position)
- Spring-loaded release lever allows work surface to be quickly and easily folded out of the way when no longer needed
- One-hand adjustment makes bracket easy-to-open, close and adjust

Material: Steel

Size	A	B	C	KV Model No.	Item No.
12"	300 (12")	200 (7 7/8")	15 (9/16")	206 WH 12	287.31.741
16"	400 (15 3/4")	240 (10 5/8")	20 (13/16")	206 WH 16	287.31.742



#### 208 Series Ultimate L-Brackets, Super Duty

- Weight capacity: up to 1,200 lbs./pair\*
- For 12" – 24" deep shelving

Material: Steel

Size	Finish	A	B	C	KV Model No.	Item No.
12"	black	300 (12")	203 (8")	30 (1 3/16")	208 BLK 300	287.55.361
12"	white	300 (12")	203 (8")	30 (1 3/16")	208 WH 300	287.55.761
16"	black	400 (15 3/4")	254 (10")	30 (1 3/16")	208 BLK 400	287.55.362
16"	white	400 (15 3/4")	254 (10")	30 (1 3/16")	208 WH 400	287.55.762
20"	black	500 (19 11/16")	333 (13 1/8")	30 (1 3/16")	208 BLK 500	287.55.363
20"	white	500 (19 11/16")	333 (13 1/8")	30 (1 3/16")	208 WH 500	287.55.763
22"	black	550 (21 5/8")	361 (14 3/16")	30 (1 3/16")	208 BLK 550	287.55.364
22"	white	550 (21 5/8")	361 (14 3/16")	30 (1 3/16")	208 WH 550	287.55.764

**\*Note**

Proper installation and mounting required. Tested to meet or exceed ANSI/BHMA 156.9-2003 performance standards. Weight limits are based on standards mounted on 16" centers and are intended for use as general guidelines only. No warranty, expressed or implied, supplied by Häfele.

Dimensional data not binding. We reserve the right to alter specifications without notice.