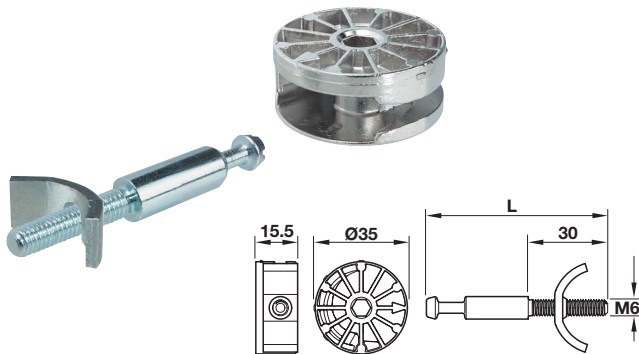
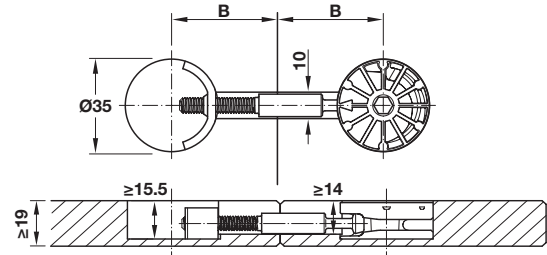


Maxifix

- Provides a firm connection between two work surfaces via a 180° turn
- Saves time and greatly simplifies assembly of tops
- The semi-circular short steel plate pre-installed onto the bolt is simply inserted into the routed location and tightened with the Maxifix housing
- The long thread provides error-free compensation for tolerances
- Minimum material thickness is 19 mm (3/4")



Drilling distance



Countertop/Work Surface Connector

Material: Steel, galvanized

Length L	Drilling dimension	Item No.
65	32 – 41	262.87.041
150	75 – 84	262.87.042

Supplied With

- 20 cams
- 20 bolts

Hex Key, 6 mm

Material: Steel

Finish	Item No.
zinc-plated	008.28.268



Dimensional data not binding. We reserve the right to alter specifications without notice.