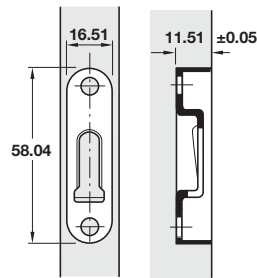
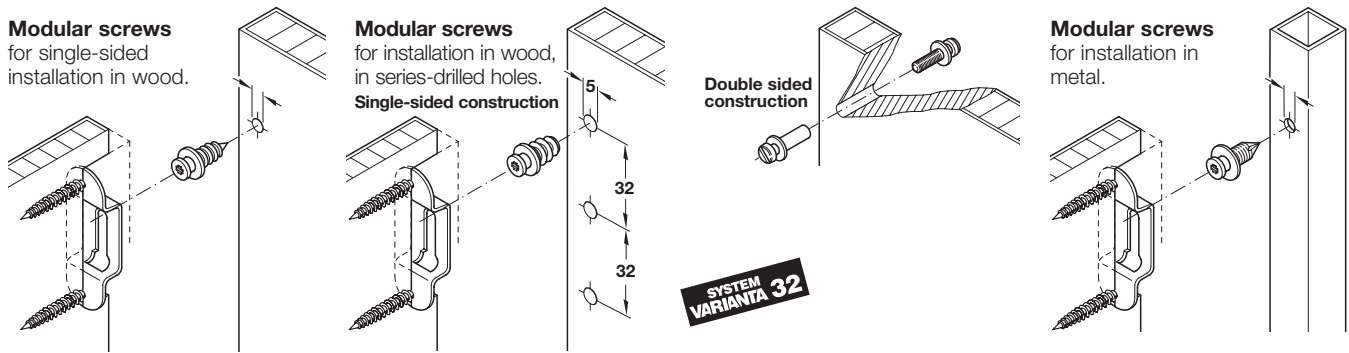


- For panels 22 mm
- Pan head screws used to attach bracket to panel



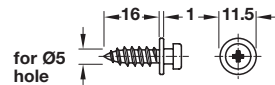
22 mm panel thickness



Non-locking

Material: Steel

Color	Mfg. #	Item No.
black phosphate	6063-PH	262.47.077



Modular Screw

- With wood screw thread

Material: Steel

Finish	Mfg. #	Item No.
galvanized	6165	262.47.889