

Non-locking

- 32 mm center to center

Material: Steel; Color: black phosphate



Panel thickness	Mfg. #	Item No.
16	4032-PH	262.47.313
19	5032-PH	262.47.343

Non-locking

- 32 mm center to center

Material: Steel; Color: black phosphate



Panel thickness	Mfg. #	Item No.
16	4061-PH	262.47.048
19	5063-PH	262.47.022

Modular Screw

- With wood screw thread
- For installation in Ø4 and Ø5 mm holes

Material: Steel, galvanized

Length	Hole Ø	Mfg. #	Item No.
12.7	4	1065	262.47.978
16	4	1165	262.47.987
25	4	5069	262.47.996
32	4	5068	262.47.870
16	5	2155	262.47.902

Modular Screw

- With special thread
- For installation in Ø5 mm series-drilled holes

Material: Steel

Finish	Mfg. #	Item No.
galvanized	2055	262.47.807

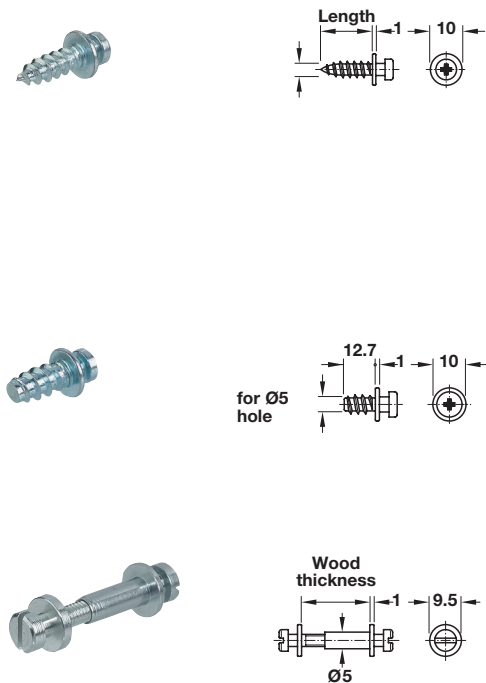
Modular Screw

- With M4 thread
- For installation in Ø5 mm series-drilled holes
- Wood thickness: 16 – 24 mm

Material: Female: Brass; Male: Steel, galvanized

Finish	Mfg. #	Item No.
galvanized	2065	262.47.923

Dimensional data not binding. We reserve the right to alter specifications without notice.



Pan head screws pages 11.139-11.140

Dimensions in mm
Inches are approximate