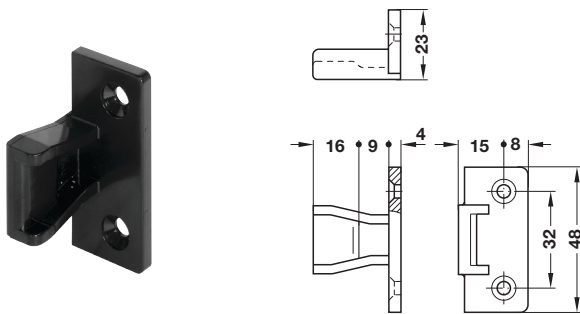
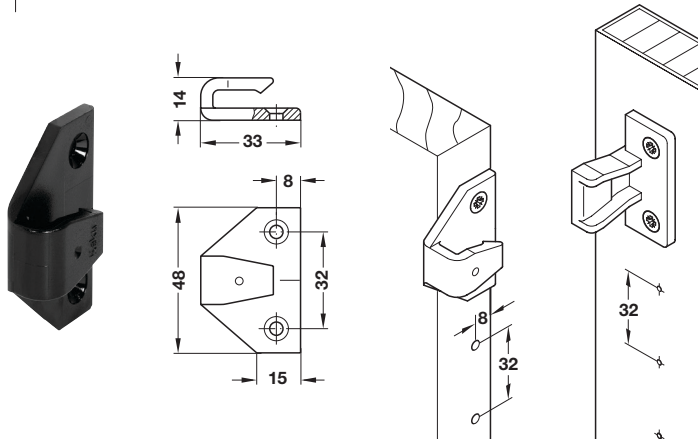
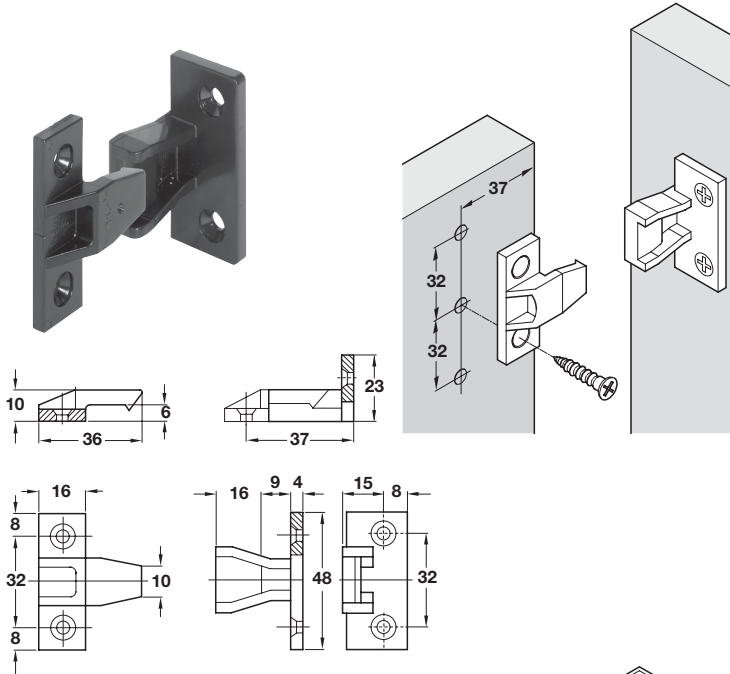


- For fastening panels to frames
- Temperature range: -100°C (-148°F) to +135°C (+275°F)
- Do not treat with chemical solutions or aggressive greases
- Do not adjust by hammering
- Not for suspended loads such as ceiling panels



Push-in Fastener

Material: Plastic



Mounting (cabinet/panel)	Color	Item No.
wood screws	black	262.50.313
wood screws	white	262.50.715
varianta/wood screws	black	262.50.322
varianta/varianta	black	262.50.340

Supplied With

Frame element
Panel element

ASR Frame Component

Material: Plastic; Color: black



Mounting	Item No.
wood screws	262.50.390
varianta screws	262.50.391

AS Panel Component

Material: Plastic; Color: black



Mounting	Item No.
wood screws	262.50.359
varianta screws	262.50.358

Note

ASR and AS components must be ordered separately

Flat head wood screws	page 11.144
Varianta screws	page 11.146

11

Dimensions in mm
Inches are approximate