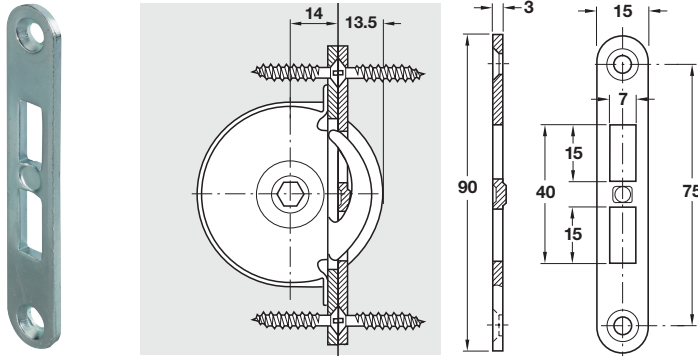


Giro-bolt Lock

- With stop
- Provides quick yet exceptionally strong joints
- Unlimited applications for any situation requiring a strong, yet easily releasable joint

Material: Steel

Finish	Item No.
zinc-plated	261.05.902

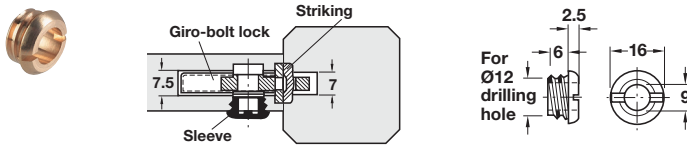


Strike Plate

- For Giro-bolt lock

Material: Steel

Finish	Item No.
zinc-plated	261.05.993

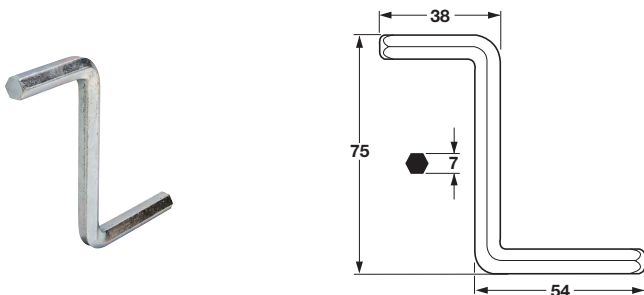


Sleeve

- For Giro-bolt lock
- With thread

Material: Brass, unfinished

Item No.
261.05.984



Hex Key

- 7 mm
- Secures and releases the Giro-bolt lock

Material: Steel

Finish	Item No.
zinc-plated	008.28.670

Dimensional data not binding. We reserve the right to alter specifications without notice.