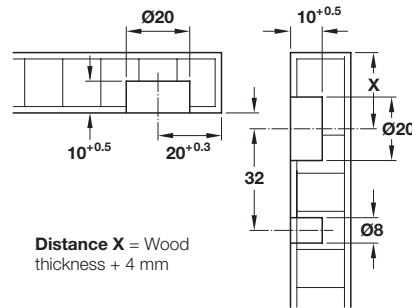
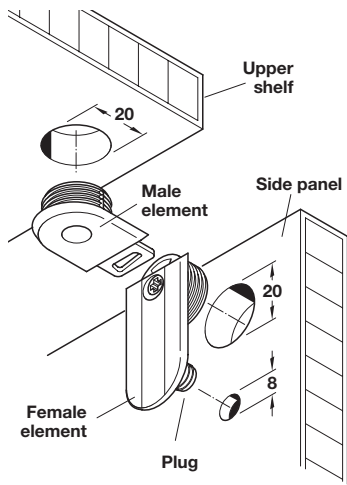


Mounting diagram



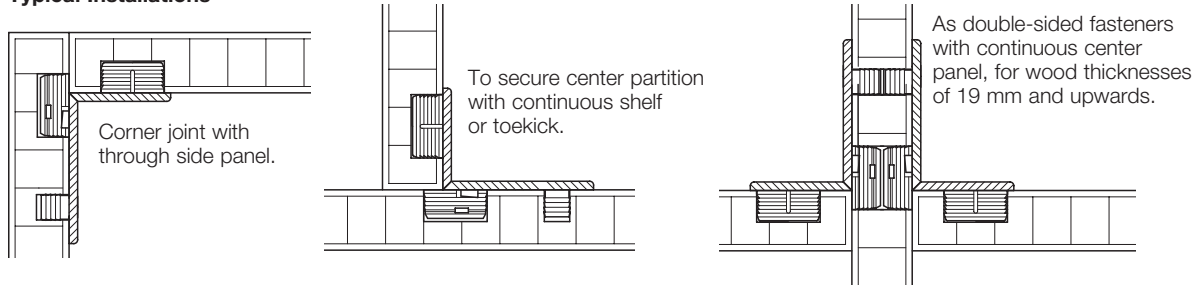
Solo 32

- With dowels
- Clip-part with tightening element
- Male part
- Allows practical sub-assembly
- Snap-in feature
- Extremely high corner stability

Material: Zinc die-cast

Finish	Item No.
nickel-plated	263.00.729

Typical Installations



Function diagram

