

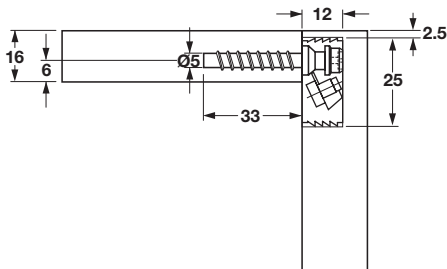
**DC-25 Dowel/Cam Connector**

- For 12 mm and 25 mm
- Dowel is inserted into edge of shelf
- Cam is inserted into upright
- Even after connector is installed, panels can be stacked

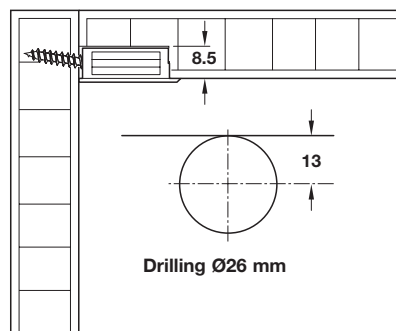
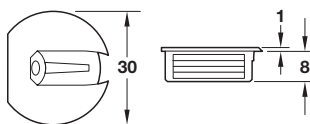
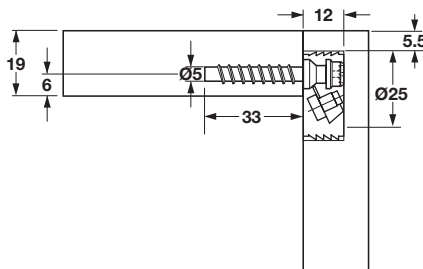
Material: Cam housing: Plastic  
Connector screw: Zinc, die-cast

Color	Item No.
white	261.95.700
brown	261.95.100

Recommended drilling for 16 mm (5/8") material



Recommended drilling for 19 mm (3/4") material



**RTA Fitting**

- Press-fit
- Housing recess Ø26 mm

Material: Plastic

Color	Item No.
beige	262.43.489

