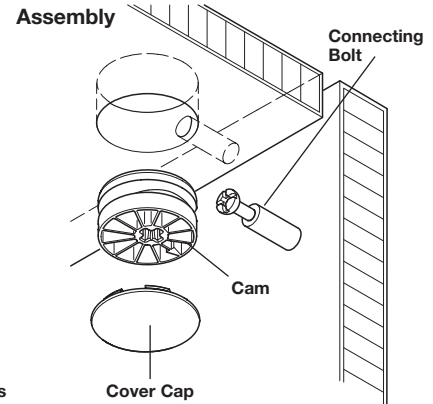
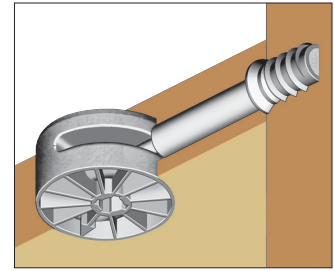
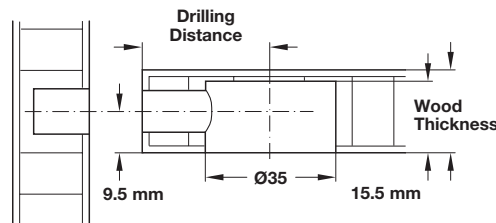


- Cam and Bolt Connector for extremely strong connections of wood compounds
- Minimum material thickness is 19 mm (3/4")
- Long travel distance (= a lot of pull)
- Quick tightening action, only 3/4 turn needed
- Can be used with either Phillips #3 or 6 mm hex key
- Power tools can be used for fast tightening
- Locking device on the outside of the cam is an additional feature that prevents loosening

ixconnect



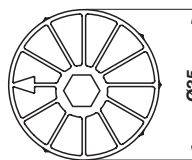
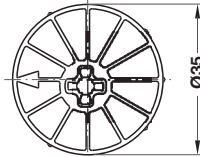
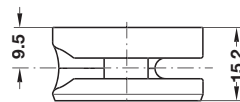
Note
Drilling distance depends on bolt used.



Phillips #3



Hex 6 mm



Cam

Material: Zinc

	Finish	Item No.
Phillips #3	unfinished	262.87.013
	nickel-plated	262.87.713
Hex 6 mm	unfinished	262.87.003
	nickel-plated	262.87.703

Cover Cap

Material: Plastic

Color	Item No.
white	262.87.790
beige	262.87.490
brown	262.87.190
black	262.87.390

