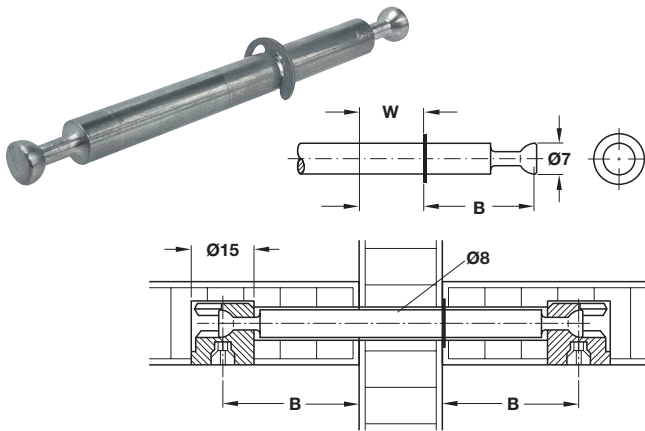


Capped Bolt

Material: Steel

Panel thickness W	Drilling distance	Nickel-plated	Bronzed
16	24	-	262.27.154
	34	262.28.759	-
19	24	262.27.761	262.27.163
	34	262.28.768	262.28.160

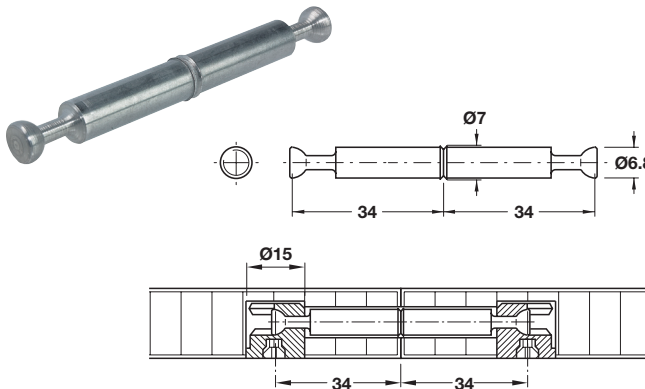


Double-ended Bolt

- With snap ring

Material: Steel; Finish: zinc-plated

Panel thickness W	Drilling distance B	Item No.
16	24	262.27.805
	34	262.28.802
19	24	262.27.814
	34	262.28.811



Double-ended Bolt

- With center ring
- For butt joints using Ø7 mm holes
- To eliminate up and down movements, 7 mm pilot holes are recommended
- Drilling distance: 34 mm

Material: Steel

Finish	Item No.
zinc-plated	262.28.786

11

Dimensions in mm
Inches are approximate