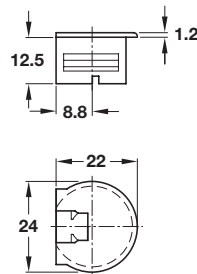
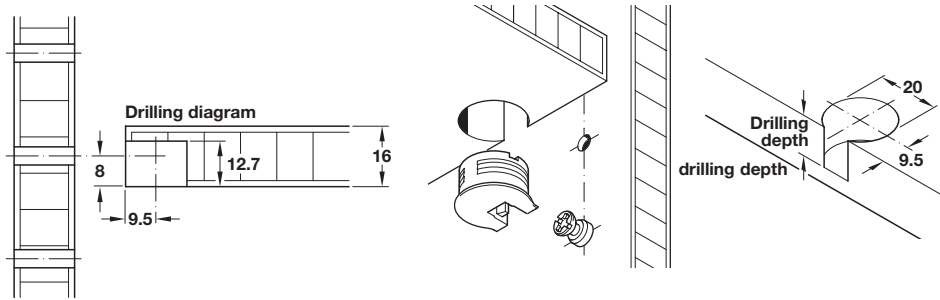


Rafix 20 TAB Housings

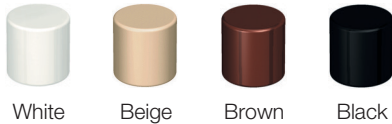
- Rafix 20 TAB is a continuation of the Rafix design line for shelf connections.
- The housing is pressed into the shelf and pushed onto connecting bolt
- A cost effective method for creating a positive engagement shelf support
- Uses standard Rafix machining while allowing for a tool-less connection



- For wood thickness: 16 mm
- For mounting center: 8 mm
- Drilling depth: 12.7+0.2 mm

Material: Plastic

Color	Item No.
white	263.09.731
beige	263.09.437
brown	263.09.133
black	263.09.339



White Beige Brown Black