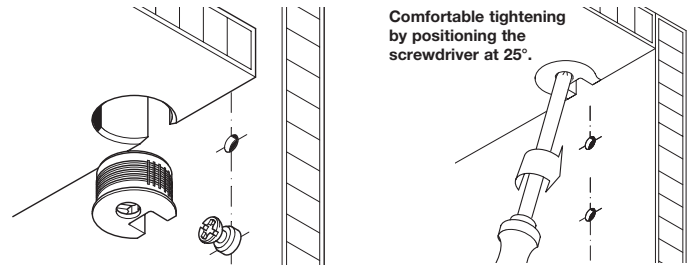


**Rafix 20 Flush Fitting**

**ixconnect**

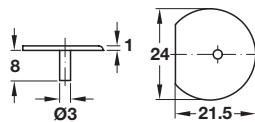
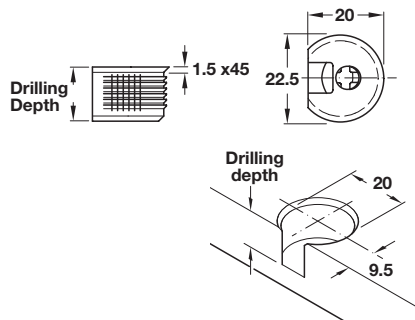
- No projecting parts due to the countersunk rim on the housing
- Housing is mounted flush to shelf
- Panels can be stacked without spacers



- Without ridge
- With tightening element
- For wood thicknesses: 19 mm
- Mounting center: 9.5 mm
- Drilling depth: 14.2+0.2 mm

Material: Plastic; Tightening element: Zinc alloy

Color	Item No.
white	263.50.705
beige	263.50.405
brown	263.50.105
black	263.50.305



**Trim Cap**

- For Rafix 20 flush

Material: Plastic

Color	Item No.
white	263.59.730
beige	263.59.430
maple	263.59.432
candlelight	263.59.133
cognac	263.59.132
black	263.59.330
brown	263.59.130

Dimensional data not binding. We reserve the right to alter specifications without notice.



Countersunk drill bits

page 12.36