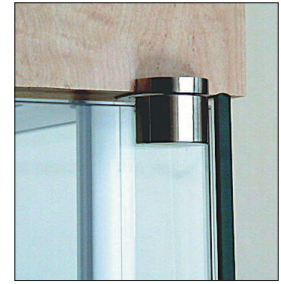
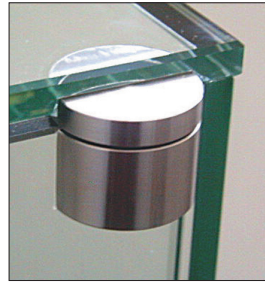
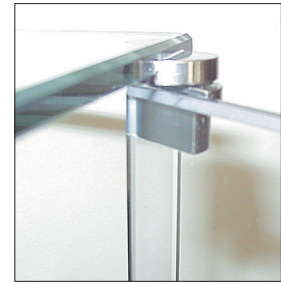
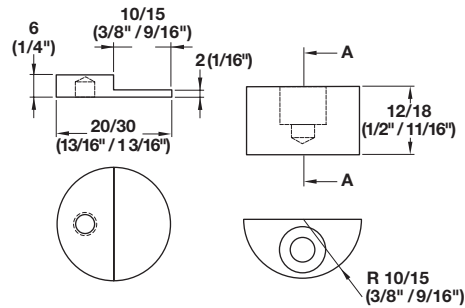


- For inset doors
- Suitable for mirrored doors
- Recommended door calibration: ratio of height to width 3:2 not to be exceeded
- Eliminates drilling into the glass
- Door can be removed after assembly
- Refer to online glass catalog for additional products



Opening angle **210°**



**Pivot Glass Door Hinge for Glass/Glass**

Material: Stainless Steel, matt

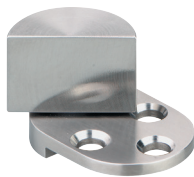
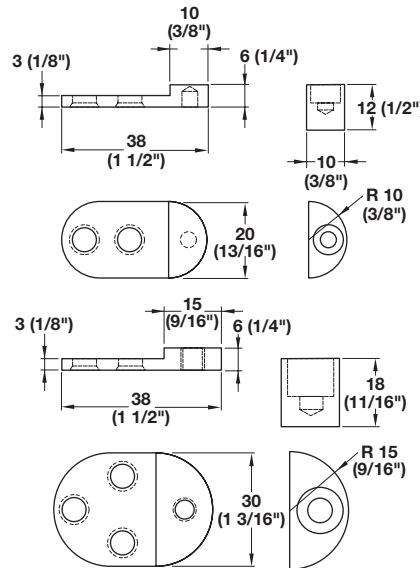
Diameter	Glass thickness	Load capacity per pair/ door	Item No.
Ø20	up to 12 max. incline 1.0 x 45°	approx. 10 kg (22 lbs.)	361.51.000
Ø30	up to 12 max. incline 1.0-1.5 x 45°	approx. 20 kg (44 lbs.)	361.51.010

**Supplied With**

Mounting instructions



Opening angle **210°**



**Pivot Glass Door Hinge for Glass Doors to be Mounted on Wood Panel**

- Minimum panel thickness 16 mm
- Minimal routing is required prior to assembly

Material: Stainless Steel, matt

Diameter	Glass thickness	Load capacity per pair/ door	Item No.
Ø20	up to 12 max. incline 1.0 x 45°	approx. 10 kg (22 lbs.)	361.61.000
Ø30	up to 12 max. incline 1.0-1.5 x 45°	approx. 20 kg (44 lbs.)	361.61.010

**Supplied With**

Mounting instructions

