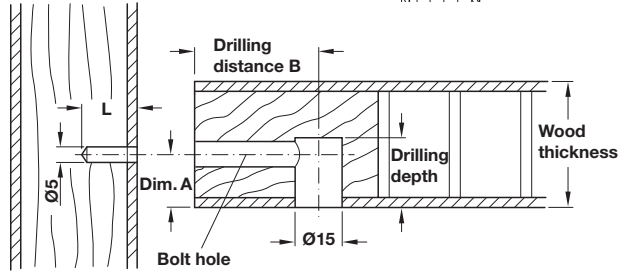
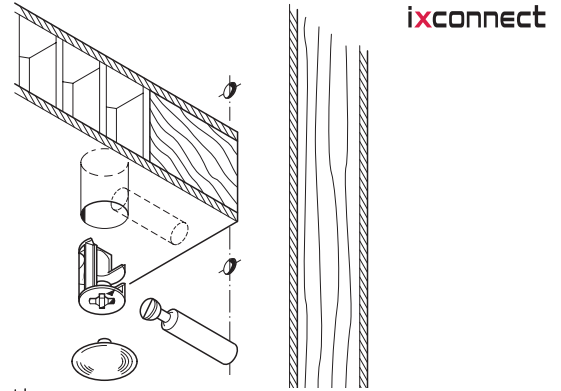


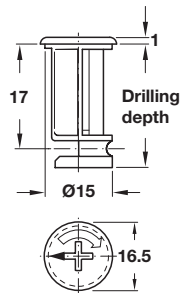
- Requires panel with a frame
- For panel thickness: 29 - 50 mm (1/18" - 1 15/16")
- Bolt hole: Ø8 mm

**Note**

For an additional selection of Minifix cams and bolts, refer to pages **11.30-11.32**



Drilling distance B: Distance from center of Minifix housing to front edge 24 or 34 mm, depending on choice of connecting bolt



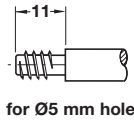
**Minifix® 15**

- With Rim, for panel thickness from 34 – 50 mm
- For all connecting bolts
- Drive: PZ2 cross slot or flat blade
- Drill Depth: 22.5+0.5

Material: Zinc alloy

Finish	Item No.
bright	262.25.081
black	262.25.381
nickel-plated	262.25.581

Dimensional data not binding. We reserve the right to alter specifications without notice.

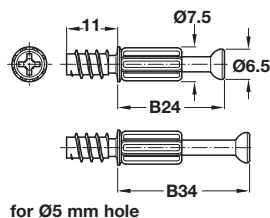


**Connecting Bolt/turned**

- Thread length 11 mm standard

Material: Steel

Drilling distance	24 mm	34 mm
unfinished	262.27.029	262.28.026
galvanized	262.27.921	262.28.928



**Econo S Bolt/cold-formed**

- Drive: Pozi 2 or Phillips 2
- Polystyrene sleeve prevents sagging and allows bolt to revolve freely during installation

Material: Steel and Plastic

B = Drilling distance	24 mm	34 mm
unfinished	262.27.670	262.28.670
zinc-plated	262.27.679	262.28.679