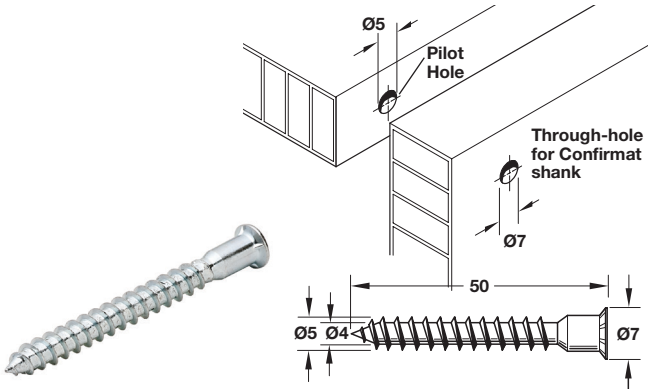


Confirmat

- Long shank, deep-cut thread ensures accurate, close-fitting joints between panels
- High pull-out resistance and strength at the corners
- Only a single drilling operation for side panels and shelves
- Consistently secure joints are assured even with repeated assembly and disassembly



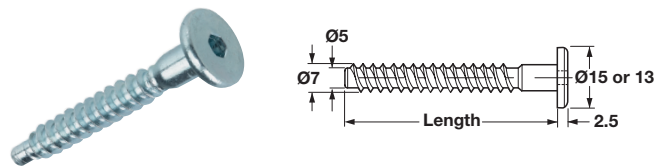
Self-countersinking with Pointed Tip

- With cross-slot drive head and nibs
 - Cover caps are not available
- Length: 50 mm
Shank: Ø5 mm
Head: Ø7 mm

Material: Brass

Finish	Hex socket head 3 mm	Cross-slot size 2
zinc-plated	264.39.191	264.40.191

Packing: 1000 pcs.



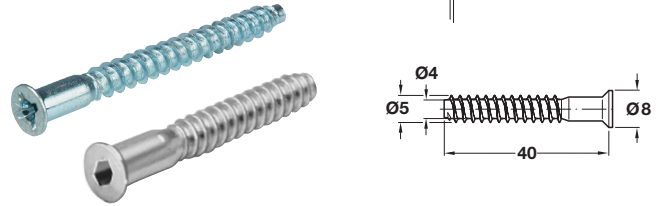
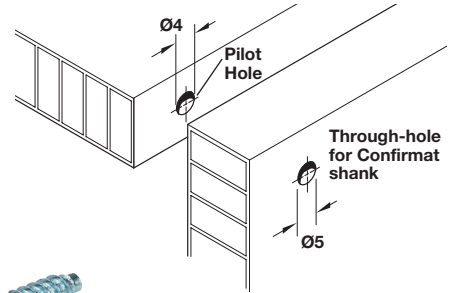
Connector Cylinder Head

- Cover caps are not available
- Drill hole: Ø5 mm
Shank: Ø7 mm
Head: Ø13 or Ø15 mm

Material: Steel

Finish/Color	Length	Ø13	Ø15
		Hex socket head 4 mm	Hex socket head 4 mm
nickel-plated	50	264.43.120	264.47.174
bronzed	50	264.43.140	-
nickel-plated	70	264.43.124	264.47.272
bronzed	70	264.43.144	264.47.236
black	70	264.43.184	-

Packing: 1000 pcs.



Threaded Steel Dowel

Drill hole: Ø4 mm
Shank: Ø5 mm
Head: Ø8 mm

Material: Steel; Finish: zinc-plated

Length	Cross slot size 2 drilled head, Ø2.4 mm	Hex socket head 3 mm
40	264.37.098	264.39.092
50	264.37.196	264.39.190

Packing: 1000 pcs.

Trim Cap, Ø12 mm

- Press-fit in Confirmat head

Color	Item No.
brown	045.18.101
black	045.18.307
white	045.18.709
pine	045.18.209
almond	045.18.450

Packing: 5000 pcs.

Screwdriver Bit

- Cross-slot Z

Material: Hardened Tool Steel

Size	Item No.
2	006.37.285
3	006.37.294

Packing: 25 pcs.

Hex Socket Bit

Material: Hardened Tool Steel

Size	Item No.
4	006.37.945
3	006.37.930

Dimensional data not binding. We reserve the right to alter specifications without notice.

Dimensions in mm
Inches are approximate