

The Maxifix® 35 HC is particularly suitable for strong connections in lightweight panels. The surface layer of the lightweight worktop must be at least 8 mm thick.

Advantages:

- Connections secured against loosening
- Height adjustment ±2 mm
- Fitting components engage when fitted
- Convenient, quick tightening by turning the Maxifix connector housing

2 Versions available:

- For lightweight panel connections, with frame at one side and height adjustment screw
- For lightweight panel connections, without frame, with height adjustment screw



Maxifix® 35 HC

- With tightening element
- PZ2 cross slot, SW6 Hex key
- Housing cup: Ø40 mm (1 9/16")
- Length: Connecting bolts 90 or 165 mm (3 9/16" – 6 1/2")

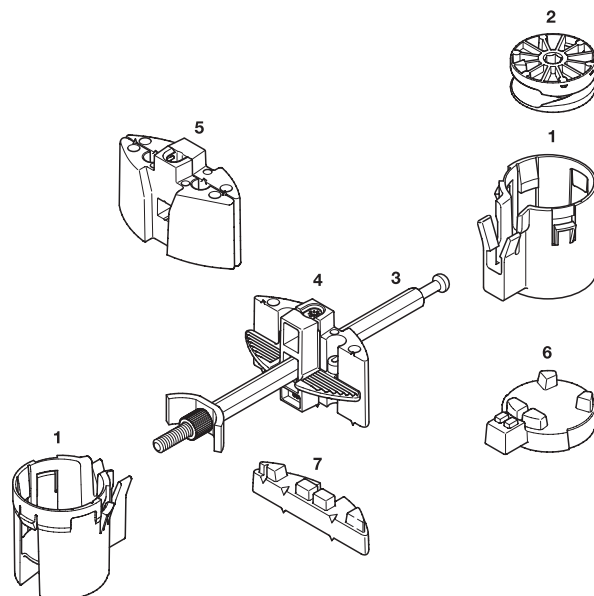
Material: Housing: Plastic; Color: black
Connector housing: Zinc alloy; Finish: nickel-plated
Connecting bolt: Steel, galvanized

For panel thickness	Length	Item No.
For honeycomb worktops with frame at one side		
50	90	262.89.121
	165	262.89.122
60	90	262.89.131
	165	262.89.132
For honeycomb worktops without frame		
50	90	262.89.021
	165	262.89.022
60	90	262.89.031
	165	262.89.032

Packing: 2 pcs.

Supplied With

- 2 housing cups
- Maxifix
- Connecting bolt with pre-mounted knurled nut and pressure plate
- Height adjustment facility



- 1 Housing cup
- 2 Maxifix 35 connector housing
- 3 Connecting bolt with pre-mounted knurled nut and pressure plate
- 4 Height adjustment for honeycomb worktops with frame
- 5 Height adjustments for honeycomb worktops without frame
- 6 Adapter for housing cup for 60 mm thick panels
- 7 Adapter for height adjustment facility for 60 mm thick panels

Dimensional data not binding. We reserve the right to alter specifications without notice.

Dimensions in mm
Inches are approximate