

**M4 Sleeve**

- With M4 internal thread and combination head for flat-blade, Phillips and cross-slot

Material: Steel; Finish: nickel-plated

Clamping range	Length	Item No.
28-36 (1 1/8"-1 7/16")	27 (1 1/16")	267.01.715
37-45 1 7/16"-1 3/4")	35 (1 3/8")	267.01.717

**M4 Screw**

- With universal head for flat-blade, Phillips and cross-slot

Material: Steel

Finish	Length	Item No.
nickel-plated	15 (9/16")	022.34.157
zinc	23 (7/8")	022.35.234

Packing: 100 pcs.



**Fastening Screw**

- M4 screw with raised head and cross-slot Z, size 2

Material: Steel

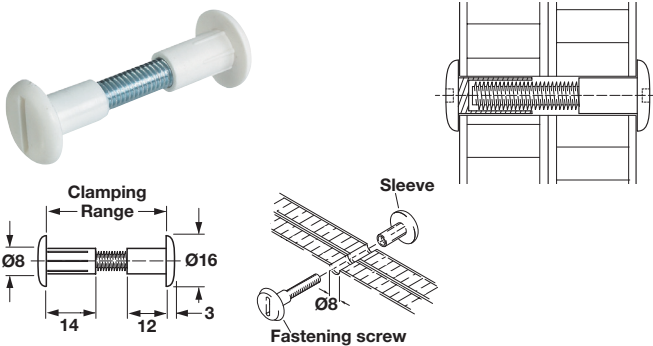
Finish	Item No.
nickel-plated	267.00.720

**Sleeves**

- With M4 internal thread

Material: Steel

Length	Unfinished	Zinc-plated
15 (9/16")	267.00.011	267.00.911
18 (11/16")	267.00.012	267.00.912
22 (7/8")	267.00.013	267.00.913
30 (1 3/16")	-	267.00.916



**M6 Connecting Screws**

- Complete fitting
- With slotted drive
- Female component has ribs

Material: Plastic; Color: white; Bolt: Steel, galvanized

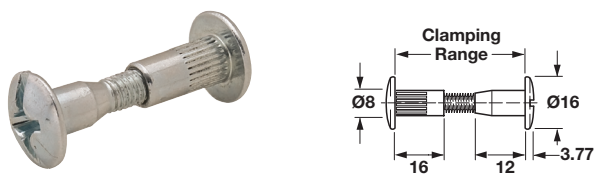
Clamping range	Item No.
30 - 36 (1 13/16" - 1 7/16")	267.25.701
34 - 40 (1 3/8" - 1 9/16")	267.25.702

**M6 Connecting Screws**

- Complete fitting
- For slotted or Phillips drive
- Female component has ribs

Material: Steel, galvanized

Length	Item No.
32 - 38 (1 1/4" - 1 1/2")	267.07.902
36 - 42 (1 7/16" - 1 11/16")	267.07.903
39 - 46 (1 9/16" - 1 13/16")	267.07.904



Dimensional data not binding. We reserve the right to alter specifications without notice.