

**TOMMO Fitting**

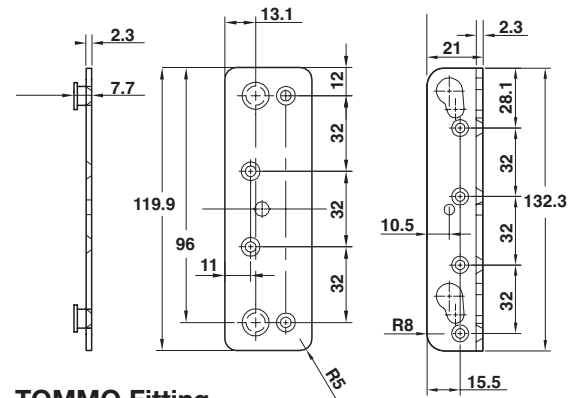
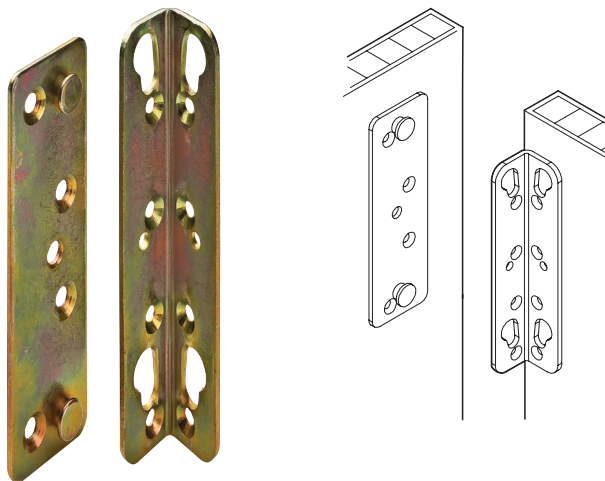
- Screw-mounted

Material: Steel

Finish	Item No.
yellow galvanized	271.09.910

**Supplied With**

- 2 left hand brackets
- 2 right hand brackets
- 4 plates



**TOMMO Fitting**

- Screw-mounted

Material: Steel

Finish	Item No.
yellow galvanized	271.09.930

**Supplied With**

- 4 unhandred brackets
- 4 plates



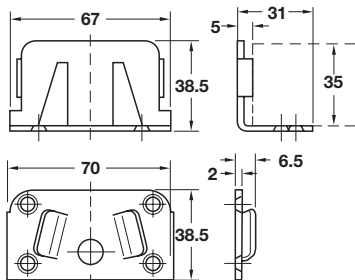
Mounting Diagram

Center tie-bar

Supporting bracket

Headboard

Retaining plate



**Double Fitting**

- Screw-mounted
- For beds with a central tie-bar
- Capable of separation
- The supporting bracket is screwed to the tie-bar, the retaining plate to the head or foot
- The bed elements are securely held by the angled retaining flanges

Material: Steel

Finish	Item No.
galvanized	273.03.510

**Supplied With**

- 1 male part
- 1 female part

Dimensional data not binding. We reserve the right to alter specifications without notice.

Flat head screws

pages 11.137-11.138, 11.140