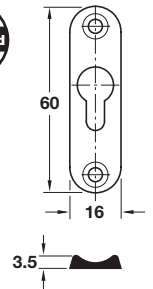
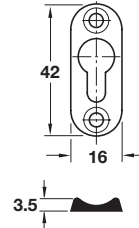
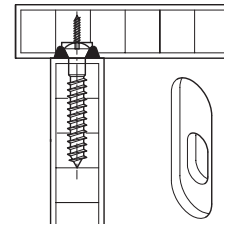


- Concealed hanger plates
- Extremely strong and invisible
- Components can be assembled or disassembled without tools
- Profiled plates, for machined-recess installation
- For use as RTA fittings for beds or upholstered furniture
- Can also be inserted into a groove
- Dimensions of recesses should be taken directly from the fittings

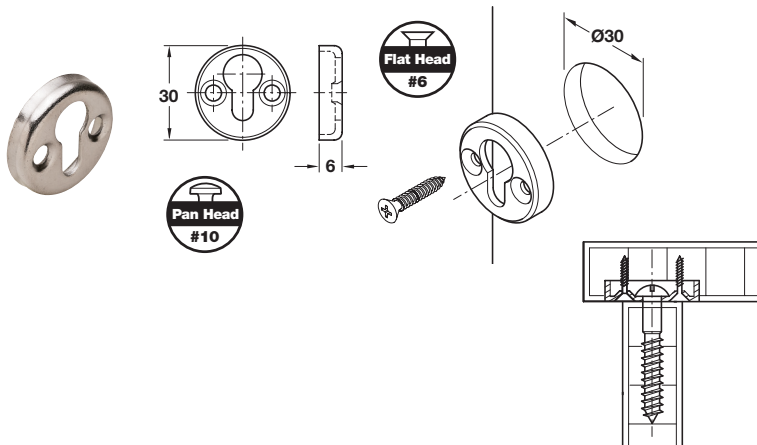


Keyhole Plate

- For recessing

Material: Steel, unfinished

Height	Item No.
42	273.55.004
60	271.52.003

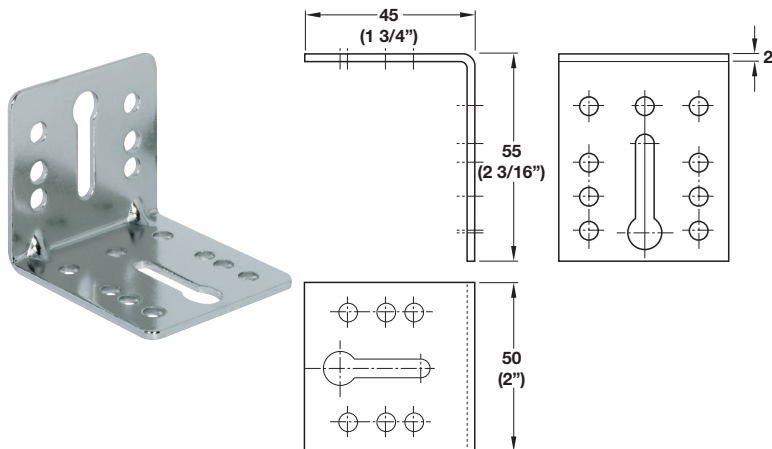


Keyhole Fitting

- For drilled holes

Material: Steel, unfinished

Item No.
271.61.306



Mounting Plate

- Screw-mounted with 2 slots and additional screw holes

Material: Steel

Finish	Item No.
nickel-plated	558.12.943