

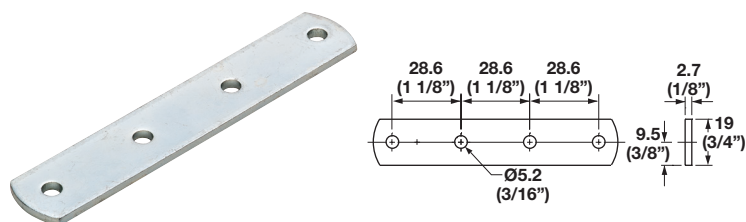
Can be used to connect table tops onto frames and panels.



Plate

Material: Steel

Finish	Item No.
zinc-plated	260.22.930

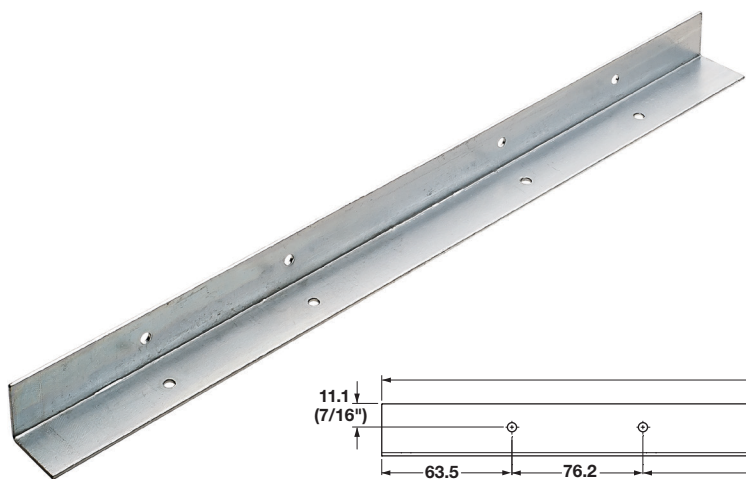


Plate

- 12 gauge

Material: Steel

Finish	Item No.
zinc-plated	260.22.910



Bracket

- 16 gauge

Material: Steel

Finish	Item No.
black oxide	260.39.340
zinc-plated	260.39.940