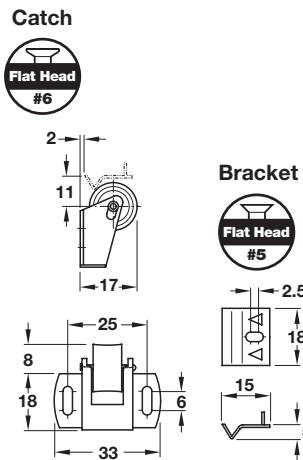
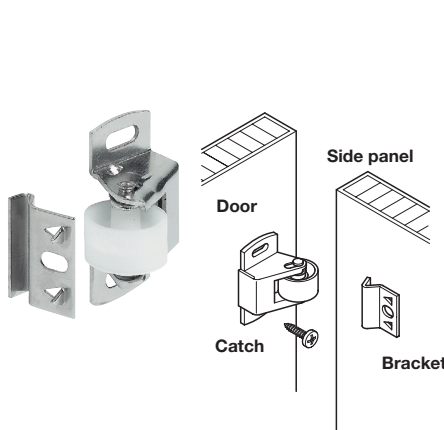


Roller Catch

- Screw-mounted

Material: Roller: Nylon; Base and Stop: Plastic

Color	Item No.
white	243.15.704

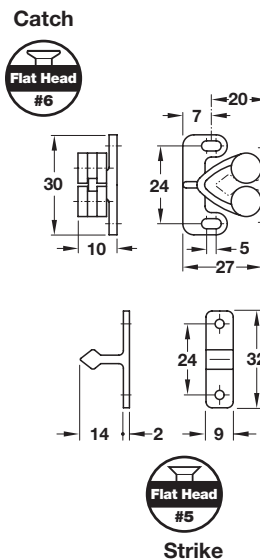
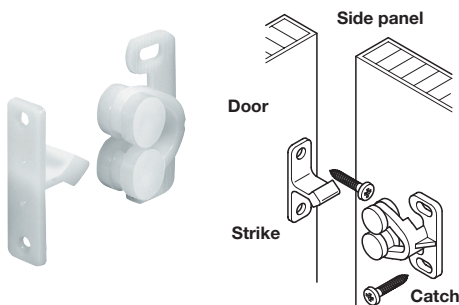


Roller Catch

- Screw-mounted

Material: Roller: Nylon; Stop and Catch: Steel

Finish	Item No.
nickel-plated	241.01.719



Twin Catch

- Screw-mounted

Material: Nylon

Color	Item No.
white	244.03.700