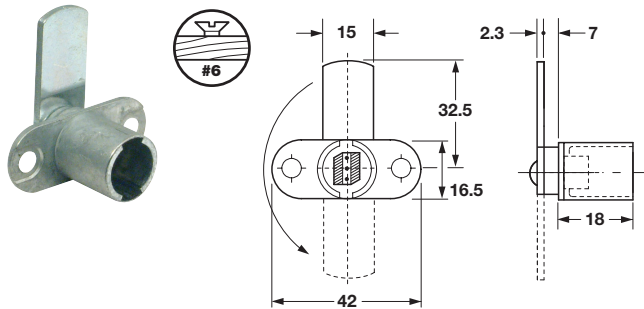


Modular Removable Core Locking System – Timberline

Horizontal drawer lock with 90° rotation is ideal for 4-sided box construction with drawer front attached. Can be mounted at the top of the drawer front and the 90° throw allows it to fit in a space as small as 7/8" (the 180° rotation will not work because cam will rotate down and hit the drawer box).

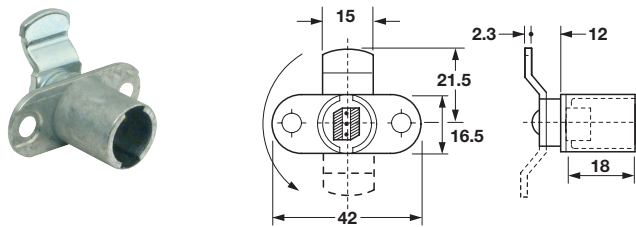


Cam Lock Body

- With straight, extended lever
- Rotation: 180°

Material: Cylinder housing: Zinc die-cast, unfinished
Lever: Steel; Finish: nickel-plated

Version	Timberline No.	Item No.
horizontal installation drawer	CB-184	235.08.303
vertical installation door	CB-194	235.08.358

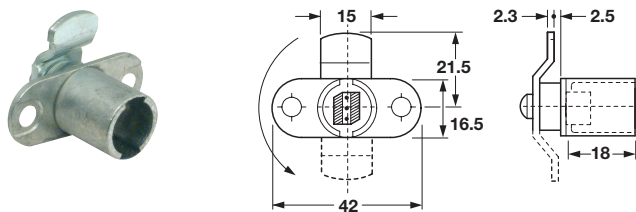


Cam Lock Body

- With outward-cranked lever

Material: Cylinder housing: Zinc die-cast, unfinished
Lever: Steel; Finish: nickel-plated

Version	Timberline No.	Item No.
horizontal installation drawer, 180°	CB-185	235.08.009
horizontal installation drawer, 90°	CB-085	235.08.018
vertical installation door, 180°	CB-195	235.08.054

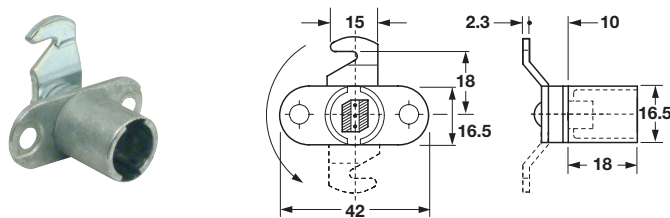


Cam Lock Body

- With inward-cranked lever
- Rotation: 180°

Material: Cylinder housing: Zinc die-cast, unfinished
Lever: Steel; Finish: nickel-plated

Version	Timberline No.	Item No.
horizontal installation drawer	CB-180	235.08.107
vertical installation door	CB-190	235.08.152

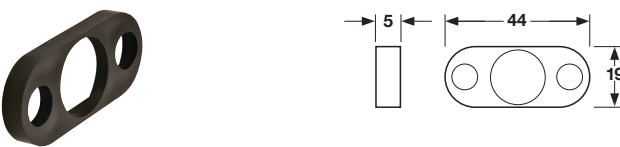


Cam Lock Body

- With outward-cranked, hooked lever
- Rotation: 180°

Material: Cylinder housing: Zinc die-cast, unfinished
Lever: Steel; Finish: nickel-plated

Version	Timberline No.	Item No.
horizontal installation drawer	CB-181	235.08.205
vertical installation door	CB-191	235.08.250



Cam Lock Spacer

- Spaces locks in 16 mm (5/8") material
- Use with cam locks 235.08. series and front mount central lock 234.85.001 only

Material: Nylon

Color	Timberline No.	Item No.
black	SP-300	210.02.080

Dimensional data not binding. We reserve the right to alter specifications without notice.

Lock cores	Page 10.6
Flat head wood screws	Page 11.144

Dimensions in mm
Inches are approximate