

### Electric Furniture Locking Systems

#### Accessories - MLA8

- Modular connection for EFL3 with cable (Item No. 237.56.360/361/362/365)
- AMP Plug-in ready to connect FLC, EFL6, EFL 7/8, SDL, even in combination with EFL3
- Direct connection to Dialock® power supplies and to additional MLA8s
- Status of the EFL3 monitor contacts available for Third Party applications; no particular wiring is required

#### Technical Data

Housing Dimensions: 280 x 50 x 25.2 mm  
(11 1/32" x 2" x 1")  
 Mounting: 4 x 35 mm or 4 x 55 mm screws  
 Supply voltage: 9.6-14.4 VDC  
 Connection from  
 EFL3 and EFL80: RJ10  
 Connection to FT 120: RJ11  
 Input Jack EFLX: AMP Mate-N-Lok, Female  
 Contact rating: 24V, 1A max.  
 Temperature range: 0-50C (+32 - 122 F)



#### Multi Lock Adapter

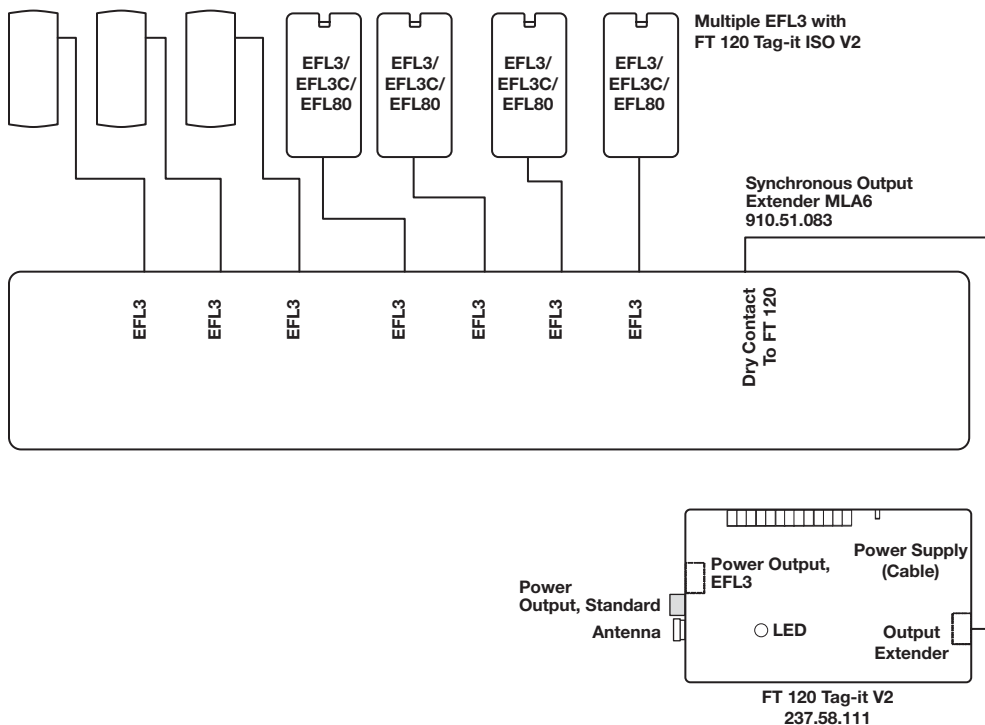
- Enables the user to connect up to 8 FLC, EFL6, etc.
- Relays box can be connected
- LED indicator on each output ideal for functional test and troubleshooting
- 1 step assignment of keyed-alike keys also for a large numbers of locks

Material: Plastic

Color	Item No.
gray	910.51.084

#### Supplied With

Mounting block  
 0.5 m (11/16") cable  
 Instructions



10

For details contact Dialock® Department at  
 1-888-437-7477 or 1-336-889-2322

Dimensions in mm  
 Inches are approximate