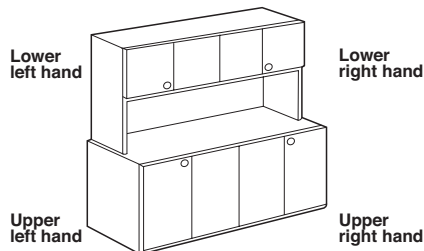
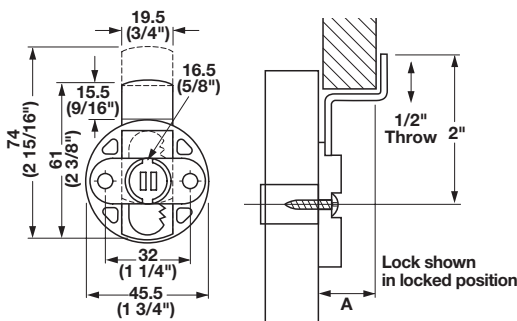
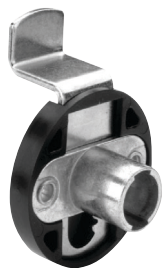
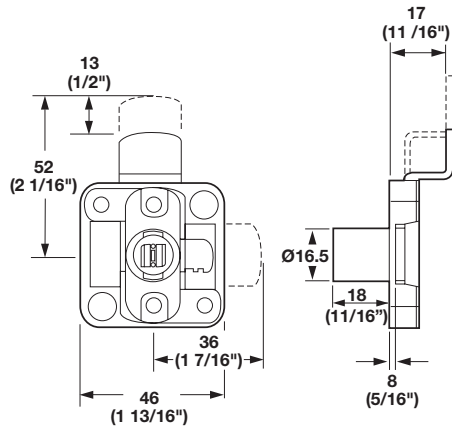
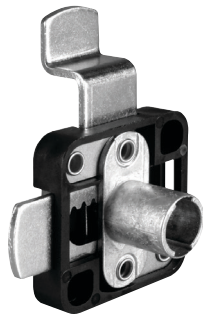
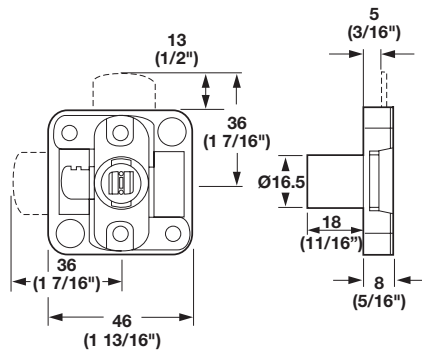
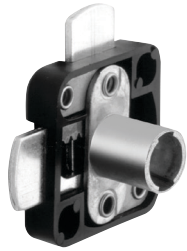


**Modular Removable Core Locking System – Timberline**

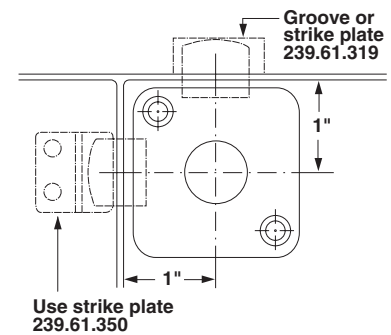


**Deadbolt Lock – double doors**

- With straight bolts
- Throw: 13 mm (1/2")
- Locks both doors without the need for lock strips or a spring catch

Material: Lock case: Nylon; Color: black  
Cylinder housing: Zinc die-cast

Mounting	Timberline No.	Item No.
lower left hand or upper right hand	CB-250	232.35.300
lower right hand or upper left hand	CB-255	232.35.301



**Deadbolt Lock – double doors**

- With offset bolt for overlay doors
- Throw: 13 mm (1/2")

Material: Lock case: Nylon; Color: black  
Cylinder housing: Zinc die-cast

Mounting	Timberline No.	Item No.
lower left hand or upper right hand	CB-251	232.35.302
lower right hand or upper left hand	CB-256	232.35.303

**Deadbolt Lock – offset bolt**

- For face-frame cabinets
- Throw: 13 mm (1/2")
- Rotate cylinder core 180° to install

Material: Lock case: Nylon; Color: black  
Cylinder housing: Zinc die-cast, unfinished  
Bolt: Steel; Finish: nickel-plated

Mounting	A	Timberline No.	Item No.
left hand/right hand	15	CB-244	232.18.348
drawer	15	CB-234	232.18.358
left hand/right hand	22	CB-245	232.18.350
drawer	22	CB-235	232.18.360

10

Dimensions in mm  
Inches are approximate

Lock cores	Page 10.6
Angle strike & strike plate	Page 10.21

Dimensional data not binding. We reserve the right to alter specifications without notice.