

### Electric Furniture Lock

#### Areas of Application

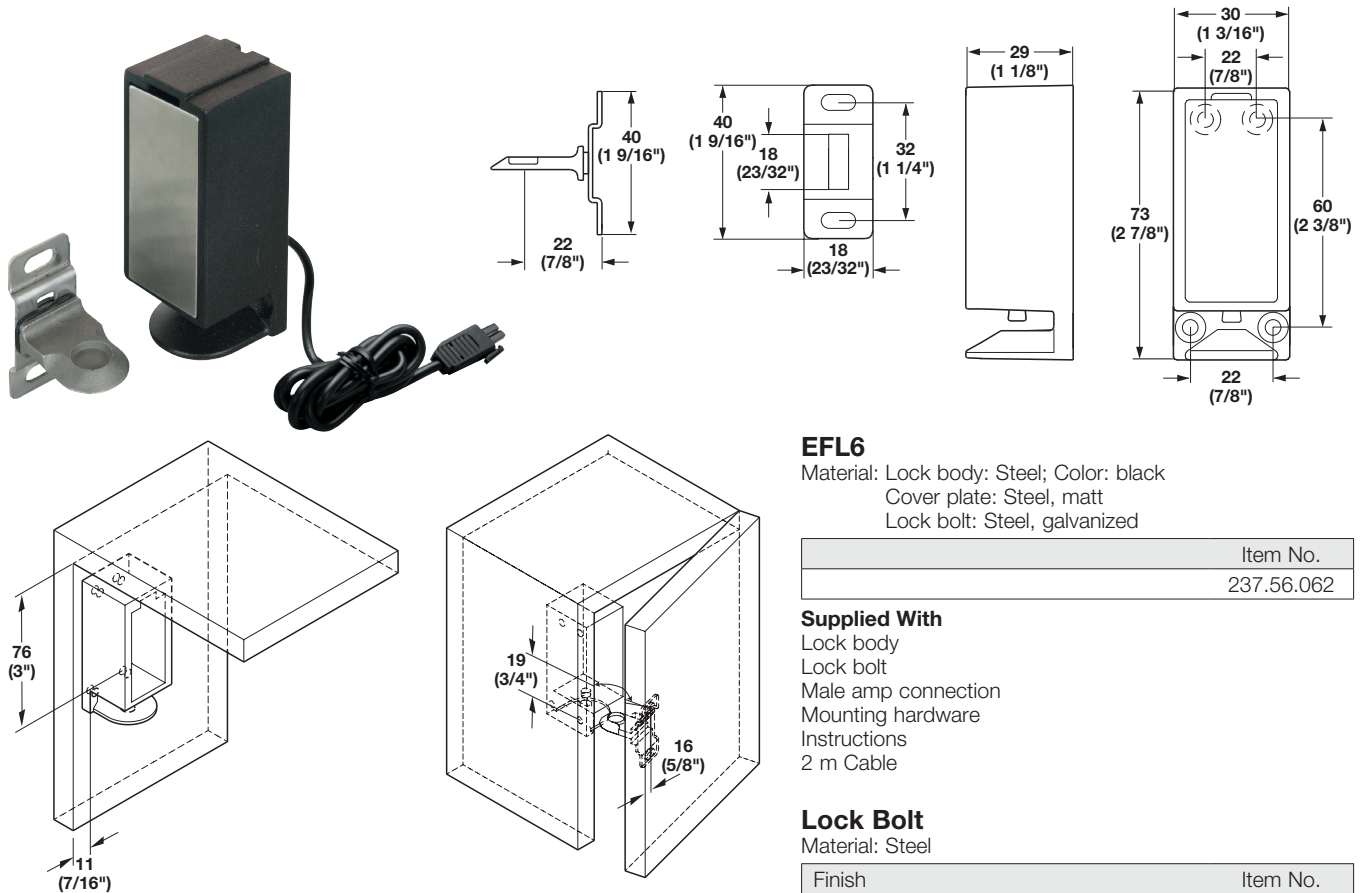
- For use with all electric and Dialock® control devices
- Suitable for interior use
- For installation on furniture and cabinets
- Suitable for hinged or sliding doors and drawers
- Slam function
- Suitable for use with self-closing slides and hinges
- Field changeable from fail secure to fail safe
- Minimum door width: 240 mm (9.5")

#### Technical Data

Voltage / Current consumption	12VDC / 190mA
Duty cycle rating	Continuous Duty
Heat generated	2.3 Watt (max.)
Temperature range	4° C to 49° C (40° F to 120° F)
Tensile load limit	90 kg. (200 lb.)
Mounting	6 screws
Connections	2 wires 2 m long
Minimum door width	240 mm (9.5")

#### Application Examples

- Cabinet doors
- Cabinet drawers
- Jewelry cases
- Teller doors
- Beverage cases



#### EFL6

Material: Lock body: Steel; Color: black  
Cover plate: Steel, matt  
Lock bolt: Steel, galvanized

Item No.
237.56.062

#### Supplied With

- Lock body
- Lock bolt
- Male amp connection
- Mounting hardware
- Instructions
- 2 m Cable

#### Lock Bolt

Material: Steel

Finish	Item No.
galvanized	237.56.987

#### Note

This lock must be wired to a controllable power source prior to installation of the strike plate. Otherwise, locking of the door may result.

Dimensional data not binding. We reserve the right to alter specifications without notice.