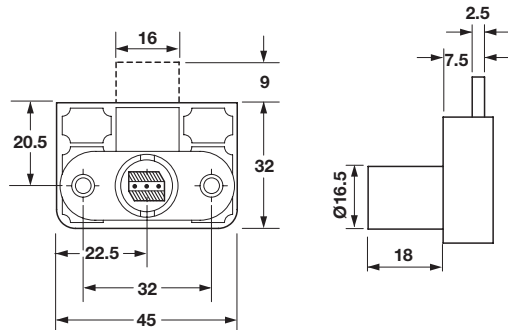


Modular Removable Core Locking System – Timberline

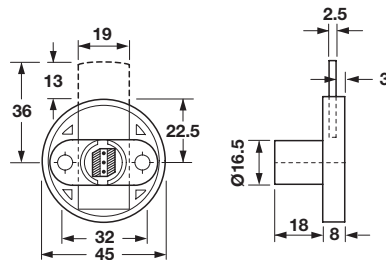
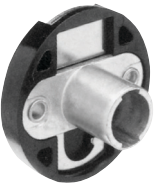


Deadbolt Lock

- Throw: 9 mm (3/8")

Material: Lock case: Nylon; Color: black
Cylinder housing: Zinc die-cast, unfinished
Bolt: Steel; Finish: nickel-plated

Mounting	Timberline No.	Item No.
left hand/right hand	CB-290	232.12.302
drawer	CB-280	232.12.311

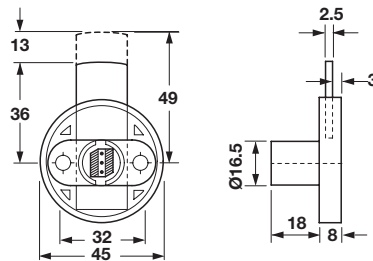
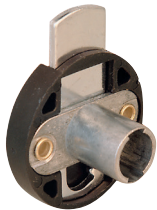


Deadbolt Lock

- Throw: 9 mm (3/8")
- Rotate cylinder core 180° to install

Material: Lock case: Nylon; Color: black
Cylinder housing: Zinc die-cast, unfinished
Bolt: Steel; Finish: nickel-plated

Mounting	Timberline No.	Item No.
left hand/right hand	CB-240	232.18.304
drawer	CB-230	232.18.313

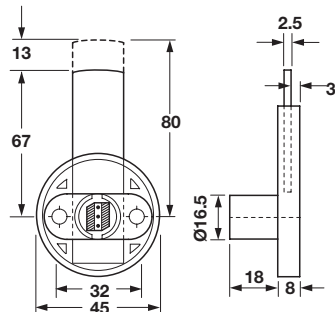


Deadbolt Lock – Extended Bolt

- Bolt starts at 36 mm and extends to 49 mm
- Rotate cylinder core 180° to install

Material: Lock case: Nylon; Color: black
Cylinder housing: Zinc die-cast, unfinished
Bolt: Steel; Finish: nickel-plated

Mounting	Timberline No.	Item No.
left hand/right hand	CB-241	232.18.306
drawer	CB-231	232.18.316



Deadbolt Lock – Extended Bolt

- Bolt starts at 67 mm and extends to 80 mm
- Rotate cylinder core 180° to install

Material: Lock case: Nylon; Color: black
Cylinder housing: Zinc die-cast, unfinished
Bolt: Steel; Finish: nickel-plated

Mounting	Timberline No.	Item No.
left hand/right hand	CB-242	232.18.322
drawer	CB-232	232.18.332

Note

Offset cam eliminates need for strike plates on face frame application where door or drawer overlays face frame. Photos and drawings depict drawer version.



Dimensional data not binding. We reserve the right to alter specifications without notice.

Lock cores	Page 10.6
Cylinder rosettes	Page 10.6
Pan head screws	Pages 11.139–11.140