

### Combination Locks

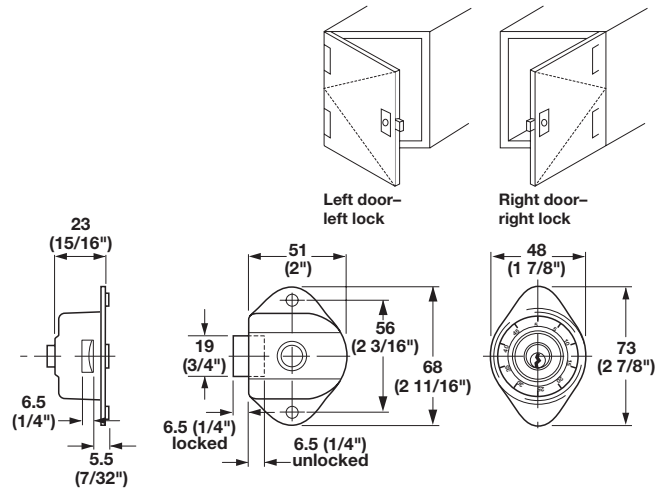
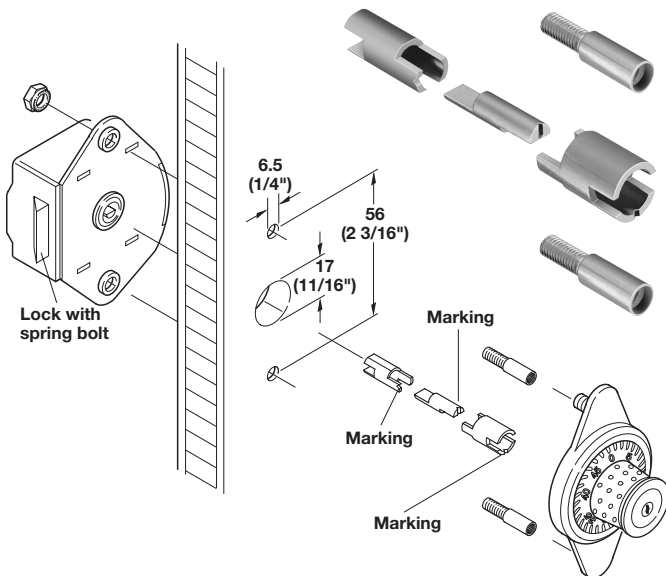
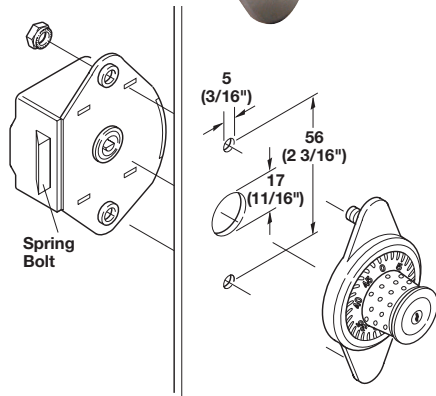
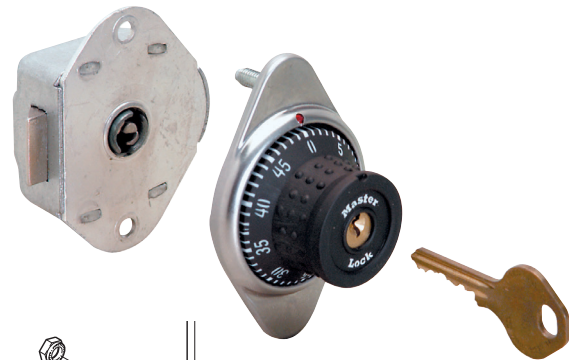
#### Mastercombi Locker Locks

- Mastercombi combination locks are suitable for safe deposit boxes, wardrobes and lockers
- The rust protected steel lock housing is theft-proof and sturdy with rust-proof internal elements
- A high security system as each lock comes with 5 different, pre-programmed, 3 digit number combinations
- Please order left or right lock per diagram below

#### Note

Different combinations can not be chosen or programmed by end user. Control key is required to set a new combination (order separately)

Mastercombi for the installation in metal doors up to 3 mm (1/8") thick. For wood doors see extension set below.



#### Mastercombi Lock

- With 5 different, pre-programmed safety combinations and control key function (order separately)
- With "easy grip and pull" handle
- With spring bolt

Material: Lock housing: Steel, galvanized and chromated  
Housing cover: Stainless Steel, rustproof  
Rotary knob: Plastic; Color: black  
Cylinder: Brass

Handing	Item No.
left	231.13.055
right	231.13.000

#### Supplied With

- 2 nuts
- 2 integrated lock washers

#### Control Key for Mastercombi

- Order separately

Item No.
231.13.091

#### Extension Set for Mastercombi

- Allows for installation in wood doors from 17.5 mm (11/16") – 19 mm (3/4") thick

Material: Lock housing: Steel

Finish	Item No.
galvanized and chromated	231.14.950

#### Supplied With

- Locking pin
- Cylinder pin
- Driver extension
- 2 screw extensions

